

YOUMUDE PREISION



优木德精密技术（东莞）有限公司  
YUMD Precision Technology (Dongguan) Co., Ltd.

优木德精密技术（东莞）有限公司

ADD:广东省东莞市清溪镇鹿湖东路348号  
工厂地址：广东省东莞市长安镇358省道581-2号（太安路，长安段）

Tel:8618665176175 0769-85675015

Email:jichun@3qgy.com

Web:www.youmude.com

Youmude Precision Technology (Dongguan) Co., Ltd

ADD: No. 348, Luhu East Road, Qingxi Town, Dongguan City, Guangdong Province  
Factory Address: 358 Provincial Road, Chang'an Town, Dongguan City, Guangdong Province  
581-2 (Tai'an Road, Chang'an Section)

Tel: 8618665176175 0769-85675015

Email: jichun@3qgy.com

Web:www.3qgy.com



## COMPANY INTRODUCTION

Dongguan Jichun Mould Standard Parts Co., Ltd. was established in 1999, Headquartered in Dongguan, Guangdong Province, China, the company specializes in R&D, production and sales of standard parts, provide mold accessories One-stop supply service. The company is deeply involved in the mold standard parts industry, Based on the application of hardware molds, plastic molds, FA automation zero selection of standard parts.

Main products: die punch, guide pin and guide sleeve, die spring, Nitrogen gas springs, self-lubricating sliders, mold hooks, etc., the company in September 2001, it passed the ISO9001: 2000 quality management certification. The quality of products in the technical supervision bureau sampling All the standards are qualified.

Products are widely used in various hardware molds, automobile mold plastic material mold, FA automation is well received by users. "Creating value for customers is the core of all our work", The company welcomes friends from all walks of life to establish business relations with us, really sincere cooperation and common development

## 公司简介

东莞市济春模具标准件有限公司成立于1999年，总部设立于中国广东省东莞，公司专业从事模具标准件研发，生产和销售，提供模具配件一站式的供应服务。公司深耕模具标准件行业，基于应用五金模具、塑料模具、FA自动化对零部件标准件选型。

主要产品：模具冲头、导柱导套、模具弹簧、氮气弹簧、自润滑滑块、模具吊钩等等，公司于2001年9月又通过了ISO9001：2000质量管理体系认证。产品质量在技术监督局抽样中各项指标全部合格。

产品广泛应用于各种五金模具，汽车模具，塑料模具，FA自动化深受广大用户的一致好评。“为客户创造价值是我们所有工作的核心”，本公司欢迎各界朋友与我们建立业务关系，真诚合作，共同发展

## Company office building



## One-stop Manufacturer of Mold Parts From raw Materials to Finished

从原材料到成品的一站式模具配件生产商



## 公司概况

- 1999年广东东莞工厂成立，是一家专业生产五金模具配件的生产厂家
- 2003年在东莞长安镇成立销售直营店
- 2006年在东莞石碣镇，安徽合肥市成立直营销售店
- 2008年开始生产塑料模具配件，引进大批技术人才
- 2015年引进自动化生产线，进入智能制造
- 2016年生产合肥生产工厂，加大生产效率
- 2018年生产销售产值8000千万人民币 产品出口德国、爱尔兰、韩国等三十多个国家和地区

## COMPANY OVERVIEW

- The Dongguan factory in Guangdong was established in 1999, which is a professional manufacturer of hardware molds. Manufacturer with accessories
  - Established a direct sales store in Chang'an Town, Dongguan in 2003
  - Established direct sales stores in Shijie Town, Dongguan and Hefei, Anhui in 2006
  - Started to produce plastic mold parts in 2008 and introduced a large number of technical personnel
  - In 2015, we introduced automated production lines and entered into intelligent manufacturing
  - Production of Hefei production plant in 2016 to increase production efficiency
  - 2018 production and sales value of 80 million yuan
- Products are exported to more than 30 countries and regions including Germany, Ireland, South Korea, etc.

## 冲头类生产线 Punch production line



## 磨床加工车间 Grinding machine workshop



## 半成品 Semi-finished products



## 氮气弹簧生产车间 Nitrogen spring production workshop



## 普车加工车间 General car processing workshop



## Mass production workshop

安徽工厂拥有大型生产车间，擅长批量生产模具标准件，为海外客户提供了充足的供货能力，工厂现有大量成品库存，占地面积1600平方。标准件数超50万件

The Anhui factory has a large production workshop and is good at mass production of standard mold parts. Provides sufficient supply capacity for overseas customers, and the factory has a large inventory of finished products. It covers an area of 1,600 square meters. The number of standard parts exceeds 500,000



CNC数控车间



日本沙迪克慢走丝车间



自动送料数控车间

## Finished product processing workshop

The whole team has a common career vision, strong social adaptability, and the concept and experience of project management and capital operation. The team members have a good division of labor and teamwork spirit. The company has strong internal cohesiveness and strong sense of responsibility, ensuring efficient operation and rapid development of the company's various businesses

整个团队具有共同的事业远景，具有较强的社会适应能力，拥有项目经营、资本运作的理念和经验。团队成员拥有良好的分工合作及团队协作精神，公司内部凝聚力强，职员责任心强，确保了公司各项业务实现了高效运转和高速发展。

## Equipment

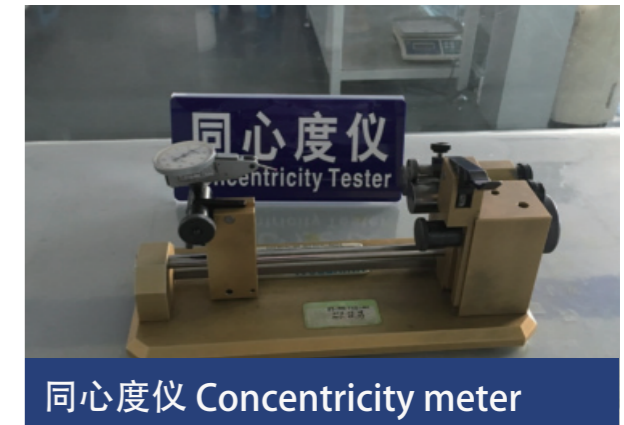
工厂拥有高精度检测设备：直读光谱分析仪、金相分析仪、硬度检测设备、拉力测试机、摩擦磨损测试机、高精度的三坐标测量仪和粗糙度测量仪等一套完整的测试和检测设备

The factory has high-precision testing equipment: direct reading spectrum analyzer, goldPhase analyzer, hardness testing equipment, tensile testing machine, friction mill Damage tester, high-precision three-coordinate measuring instrument and roughness measurement. A complete set of testing and inspection equipment



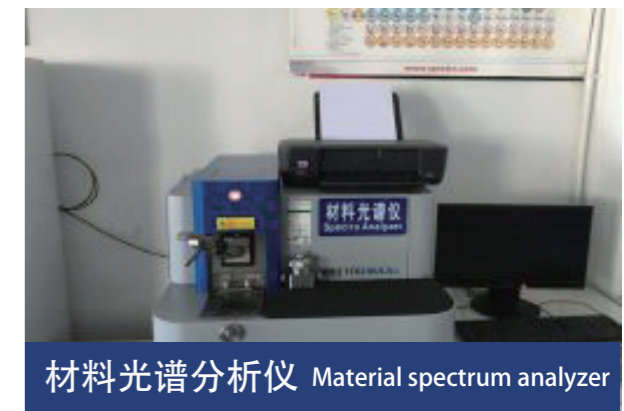
质检室 Quality Inspection Room

### 二次元投影仪 Two-dimensional projector



同心度仪 Concentricity meter

### 三次元坐标仪 Three-dimensional coordinate machine



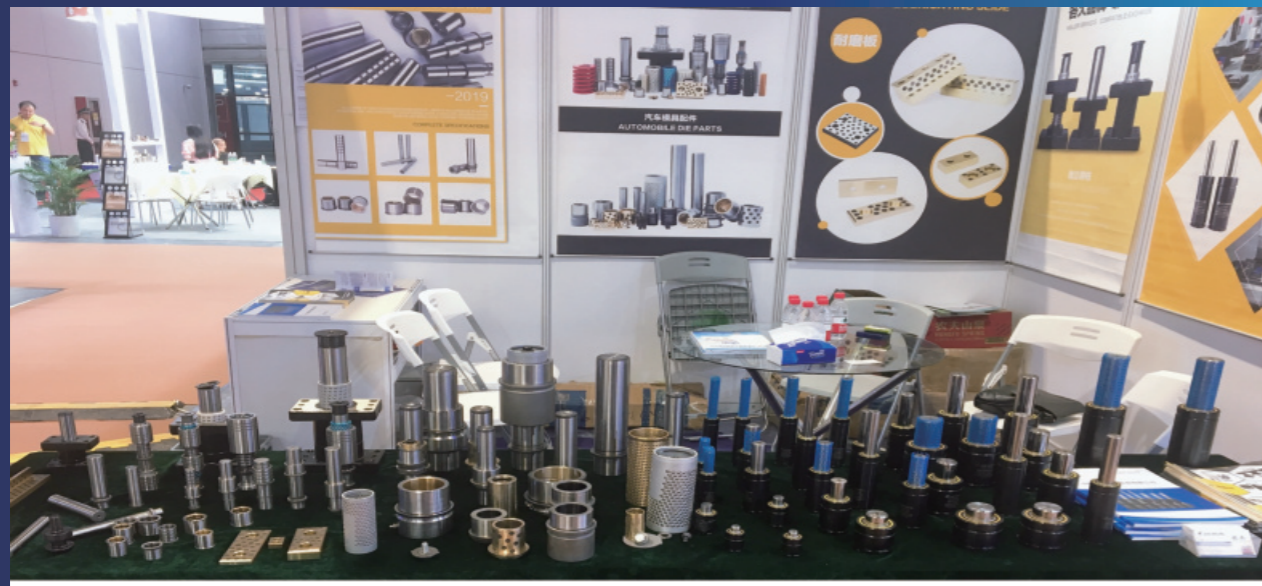
材料光谱分析仪 Material spectrum analyzer

### 硬度计检测 Hardness test



激光打标机 Laser marking machine

# 上海模具展会



## NEW 产品推荐

### NEW 自润滑滑板



### NEW 模具氮气弹簧



### NEW 独立导柱



### NEW 模具吊钩



# 优木德® 冲压模具用零件

总目录	导型凸模凹模	滑动导向件	
产品目录的使用方法	固定做	斜楔用相关零件	
凸模	卸料板内导柱·导套	螺旋弹簧	
方形凸模	模架用外导柱·导套	氮气弹簧	
导正销	独立导柱组件	吊钩模具保管零件	
凹模	铸件模具用导向零件	电机模具高刚性球导柱组件	
方形凹模	铸件模具用小零件		
凸模导套	铸件模具用定位零件		
成形加工用凸模	铸件模具搬运用零件		

## Inner guide post of unloading plate • Guide sleeve/Outer guide post for mold base • Guide sleeve 卸料板内导柱 • 导套/模架用外导柱 • 导套

产品名称 Product name	型号 Model	卸料板内 导柱·导套
YSGPH/YSGOH (油槽型) Guide post of material plate - shoulder type 卸料板导柱-肩型	P.1	
YSGPN/YSRON (油槽型) Guide pillar of material plate - straight type 卸料板导柱-直型	P.1	
YSGPR/YSGOR (油槽型) Guide post of material plate - installed type 卸料板导柱-装御型	P.2	
YSGPW Guide post of material plate - double thread fixed type 卸料板导柱-双螺纹固定型	P.2	
YSGPWS (直杆型) YSGPWH (凸缘型) Guide post of high rigidity material plate 高刚性卸料板导柱	P.3	
YSSTK (钢球用固定型挡块) YFCLP (卸料板导柱用夹具) Fixed block for steel ball / fixture for guide pillar of material plate 钢球用固定型挡块/卸料板导柱用夹具	P.4	
YSGBA (压入型) YSGBH (压入型) Guide post of material plate - oil lubrication and self lubrication type 卸料板导柱-油润滑·自润滑型	P.5	
YSGBL (LOCTITE粘接型) YSGBT (LOCTITE粘接型) Guide post of material plate - oil lubrication and self lubrication type 卸料板导柱-油润滑·自润滑型	P.5	
YSGSF/YSGBF (LOCTITE粘接型) YSGBZ/YSGHZ (LOCTITE粘接型) Guide post of material plate - oil lubrication and self lubrication type 卸料板导柱-油润滑·自润滑型	P.6	
YSGCZ/YSGFZ (LOCTITE粘接型) Guide post of material plate - self-lubricating type 卸料板导柱-自润滑型	P.7	
YSGBB (压入型) Guide sleeve of material plate - steel ball bushing 卸料板导套-钢球衬套一体型	P.7	
YSGBBL (LOCTITE粘接型) YSGBBF (LOCTITE粘接型) Guide sleeve of material plate - steel ball bushing 卸料板导套-钢球衬套一体型	P.7/8	
YSGBBW (厚壁LOCTITE粘接型) Guide sleeve of material plate for steel ball lining 卸料板导套-钢球衬套用	P.8	
YSGBBS (LOCTITE粘接型) YSGBBH (LOCTITE粘接型) Guide sleeve of material plate for steel ball lining 卸料板导套-钢球衬套用	P.8	
1.YMBSH 2.YMBJH Spring for ball Bush / ball bush 钢球衬套/钢球衬套用弹簧	P.9	
YRSGPW YRSGPS Guide sleeve of material plate (3um tolerance type) 卸料板导套 (3um公差型)	P.10	
YRBJ/ YRSTKH YRSWP Needle sleeve / fixed stop for needle / spring for needle 滚针衬套/滚针用固定型挡块/滚针用弹簧	P.11	
YFCLP Fixture for guide pillar of material plate 卸料板导柱用夹具	P.11	

## Inner guide post of unloading plate • Guide sleeve/Outer guide post for mold base • Guide sleeve 卸料板内导柱 • 导套/模架用外导柱 • 导套

产品名称 Product name	型号 Model	模架用外 导柱·导套
无挡块-YRBSH(YQBSH) 可动挡块-YRMSH(YQMSH) 固定挡块-YRKSJH 铝合金钢球衬套 (YQKSH) (树脂钢球衬套) High rigidity steel ball guide pillar assembly 高刚性钢球导柱组件	P.13	
无挡块-YRB(YQB)/YPB(YGB) 可动挡块-YRM(YQM)/YPM(YGM) 固定挡块-YRK(YQK)/YPK(YGK) High rigidity steel ball guide pillar assembly 高刚性钢球导柱组件	P.13	
无挡块-YPBSH(YGBSH) 可动挡块-YPMSH(YGBMSH) 固定挡块-YPKSH(YGBKSH) High rigidity steel ball guide pillar assembly 高刚性钢球导柱组件	P.14	
无挡块-YPB(YGB) 可动挡块-YPM(YGM) 固定挡块-YPK(YGK) Guide post assembly for mold base 钢球导柱组件	P.14	
滑动-YRD(YPD)/自润滑-YRZ(YPZ) 铜合金层合-YRF(YPF) 铜合金层合-自润滑 (MoS2) YRFZ(YPFZ) Sliding guide post assembly for mold base 模架用滑动导柱组件	P.15/16	
装御型-YMRP/YBRPM(可动挡块STM用) YBRPK(固定挡块STM用) 压入型-YMSP/YBSPM(可动挡块STM用) YBSPK(固定挡块STM用) Slide guide post for mold base 模架用滑导柱	P.17/18	
YLBB (LOCTITE粘接型) YLBB (LOCTITE粘接型) Steel ball guide sleeve for mold base 模架用钢球导套	P.19	
YRBB Steel ball guide sleeve for mold base 模架用钢球导套	P.19	
YLBS (带扣环、LOCTITE粘接型) YSWBP (YLBS专用弹簧) Steel ball guide sleeve and spring for lower mold base 下模架用钢球导套·弹簧	P.20	
YMBSH (高刚性-铝合金钢球衬套) YMBJH 高刚性-树脂钢球衬套) Steel ball bushing for mold base 模架用钢球衬套	P.21	
YMBS 铝合金钢球衬套) YMBJ (树脂钢球衬套) Steel ball bushing for mold base 模架用钢球衬套	P.21	
YSTM (可动挡块) YSTK (固定挡块) YSWP/YSWPL(长型) Stop and spring for steel ball guide post 钢球导柱用挡块·弹簧	P.22	
YLDB (LOCTITE粘接型) YLFB (铜合金型) Sliding guide sleeve for mold base 模架用滑动导套	P.23	
YLBZ (自润滑型)孔型) YLFZ (LOCTITE粘接型) Sliding guide sleeve for mold base 模架用滑动导套	P.23	
YCB Hexagon socket bolts for formwork 模架用六角螺栓	P.23	

## Outer guide pillars for mold bases/guide bushes/ independent guide pillar assemblies/guide parts for casting molds 模架用外导柱·导套/独立导柱组件/铸件模具用导向零件

<p>产品名称 Product name</p> <p>型号 Model</p> <p>独立导柱组件</p> <p>页码</p>	<p>YMY (油润滑型) YMP (定位孔·油润滑型) Slide type independent guide post assembly 滑动型独立导柱组件</p>  <p>P.25</p>	<p>YMYZ (自润滑型) YMYZP (定位孔·自润滑型) Slide type independent guide post assembly 滑动型独立导柱组件</p>  <p>P.25</p>	<p>YMYA (铝合金型) YMYAP (定位孔·铝合金型) Steel ball type independent guide pillar assembly 钢球型独立导柱组件</p>  <p>P.26</p>	<p>YMYJ (树脂型) YMYJP (定位孔·树脂型) Steel ball type independent guide pillar assembly 钢球型独立导柱组件</p>  <p>P.26</p>
<p>YMYAK (铝合金型) YMYKP (定位孔·铝合金型) Steel ball type independent guide pillar assembly 钢球型独立导柱组件</p>  <p>P.27</p>	<p>YMYJK (树脂型) YMYKJP (定位孔·树脂型) Steel ball type independent guide pillar assembly 钢球型独立导柱组件</p>  <p>P.27</p>	<p>YMBSH (高刚性·铝合金球衬套) YMBJH (高刚性·树脂球衬套) Guide post, guide post seat and sliding guide seat 导柱·导柱座·滑动导座</p>  <p>P.28</p>	<p>YMB (铝合金球衬套) YMBJ (树脂球衬套) Guide post, guide post seat and sliding guide seat 导柱·导柱座·滑动导座</p>  <p>P.28</p>	<p>YSTMY (珠块) YSWMY (钢球型独立导柱组件用弹簧) Stop / washer for positioning fire/ release / spring for steel ball type independent guide pillar assembly 珠块/定位消防火型用垫圈/钢球型独立导柱组件用弹簧</p>  <p>P.28/29</p>
<p>YGPZE YGBZE (自润滑导套) Guide as-self-lubricating 自润滑导套精铸件</p>  <p>P.30</p>	<p>YCEB (作业垫块)/YCSB (保管垫块) YRSC (作业垫块用链条) Travel limit type 行程限位型</p>  <p>P.31</p>			
<p>产品名称 Product name</p> <p>型号 Model</p> <p>铸件模具用导向零件</p> <p>页码</p>	<p>YGPM YGPM-MC Guide post 导柱</p>  <p>P.33</p>	<p>YGBF YGBW Self lubricating guide sleeve 自润滑导套</p>  <p>P.34</p>	<p>YGGBW Universal guide sleeve straight rod 通用导套 直杆</p>  <p>P.35</p>	<p>YGGBP YGGBF (通用导套 带扇型) General guide sleeve straight rod bronze type 通用导套 直杆青铜型</p>  <p>P.35/36</p>

## Independent guide column assembly/guide parts for casting mold 独立导柱组件/铸件模具用导向零件

<p>YSGBW YGBWC Guide sleeve shoulder type / washer 导套 带扇型/垫圈</p>  <p>P.37/38</p>	<p>YGEB (压入型导柱用) Travel limit block / guide sleeve anti loose fixing block 行程限位块/导套防松固定块</p>  <p>P.39</p>	<p>YKEB Travel limit block / guide sleeve anti loose fixing block 行程限位块/导套防松固定块</p>  <p>P.39</p>	<p>YPKHL/YPKHLU (带聚氨酯) KH/PKH-U (带聚氨酯) Guide as-ball</p>  <p>P.40/41</p>	<p>YHKD/YSWP-B Spacer guide ring 间隔导向环</p>  <p>P.42</p>
<p>YCMG51 (导柱) YCMG61 (导套) Guide post / guide sleeve 导柱/导套</p>  <p>P.43/44</p>	<p>YCMG71 (导套) YCMG72 (省空间)/YCMG73 Guide sleeve / guide sleeve anti falling block 导套/导套防脱块</p>  <p>P.44/45</p>			

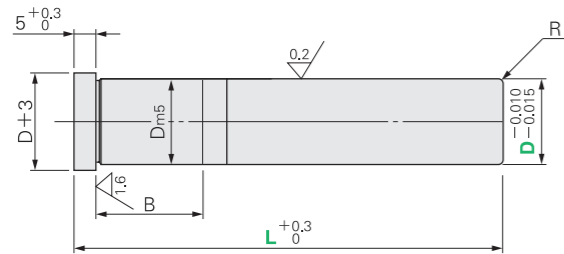
卸料板导柱-肩型/直杆型



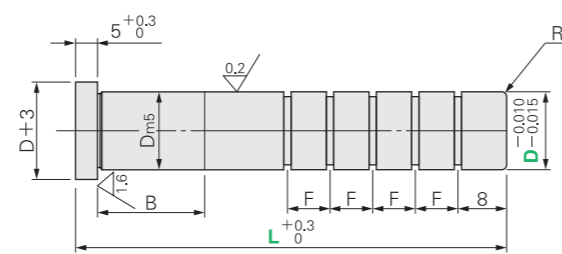
※L40~119.5 →F= 8  
L120~L(C)max.→F=10  
M材质 SUJ2 H硬度 58HRC~

D	槽数 (个)							
	40~	50~	70~	80~	90~	160~	180~	
8	2	3	4	5	6	-	-	
10	2	3	4	5	6	-	-	
13	2	3	4	5	6	7	8	
16	2	3	4	5	6	7	8	
20	2	3	4	5	6	7	8	
25	2	3	4	5	6	7	8	

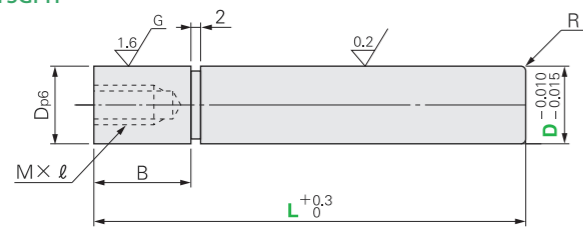
YSGPH



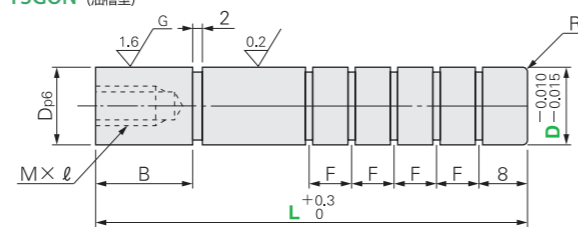
YSGOH (油槽型)



YSGPN



YSGON (油槽型)



Catalog No.		L								Dm5	R	B	
Type	D	40	50	60	70	80	90	100	110	120			
YSGPH YSGOH	8	40	50	60	70	80					8	10	
	10	40	50	60	70	80	90	100			10	13	
	13	40	50	60	70	80	90	100	110	120	13	16	
	16		50	60	70	80	90	100	110	120	130	140	20
	20			60	70	80	90	100	110	120	130	140	25
	25				70	80	90	100	110	120	130	140	28

Catalog No.		L								Dp6	Mx l 螺距	R	B
Type	D	40	50	60	70	80	90	100	110	120			
YSGPN YSGON	8	40	50	60	70	80					8	10	
	10	40	50	60	70	80	90	100			10	13	
	13	40	50	60	70	80	90	100	110	120	13	16	
	16		50	60	70	80	90	100	110	120	16	20	
	20			60	70	80	90	100	110	120	130	140	25
	25				70	80	90	100	110	120	130	140	28

卸料板导柱-装卸型/双螺纹固定型

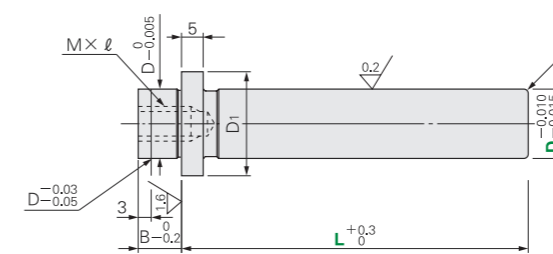


※L(C)30~119.5 →F= 8  
L120~L(C)max.→F=10

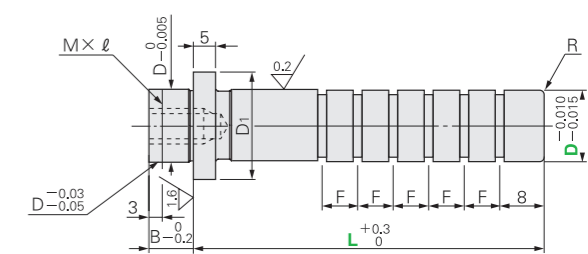
M材质 SUJ2 H硬度 58HRC~

D	槽数 (个)				
	30~	40~	60~	70~	80~
8	2	3	4	5	-
10	2	3	4	5	6
13	2	3	4	5	6
16	2	3	4	5	6
20	2	3	4	5	6
25	2	3	4	5	6

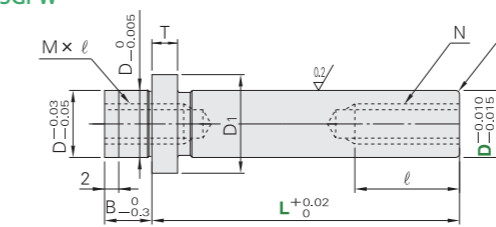
YSGPR



YSGOR (油槽型)



YSGPW



Catalog No.		L								Mx l 螺距	D1	R	B		
Type	D	30	40	50	60	70	80	90	100	110	120				
YSGPR YSGOR	8	30	40	50	60	70						M5x12 P0.8	13	1.0	8
	10	30	40	50	60	70	80					M6x15 P1.0	16	1.5	10
	13		40	50	60	70	80	90	100			M8x20 P1.25	20	2.0	13
	16		40	50	60	70	80	90	100	110	120		23		16
	20			50	60	70	80	90	100	110	120		27		13
	25				60	70	80	90	100	110	120		32		16

Catalog No.		L 指定单位5mm	Mx l 螺距	N 螺距	l	D1	R	T	B
Type	D								
YSGPW	8		M4x12 P0.7	M4 P0.7	8~13	12	1.0	3	8
	10	25~70	M5x15 P0.8	M5 P0.8	10~15	14	1.5	5	10
	13	30~75	M6x15 P1.0	M6 P1.0	16~21	17	2.0	5	13
	16	40~100	M8x20 P1.25	M8 P1.25		23			16
	20					27			
	25	60~120				32			

Order 订货范围 Catalog No. - L YSGPH 16 - 100 Catalog No. - L YSGPN 20 - 80

Delivery 交货期 请咨询 Please ask

Order 订货范围 Catalog No. - L YSGPR 16 - 100 Catalog No. - L YSGPW 10 - 55

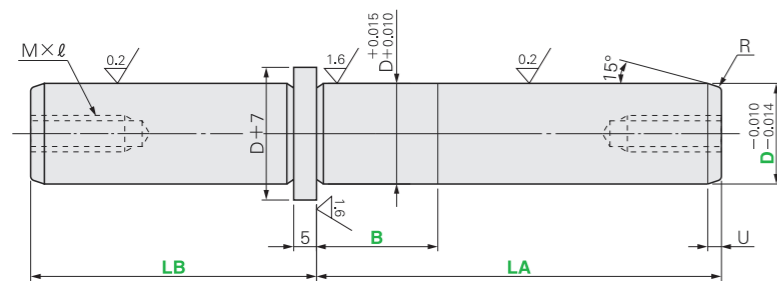
Delivery 交货期 请咨询 Please ask

高刚性卸料板导柱

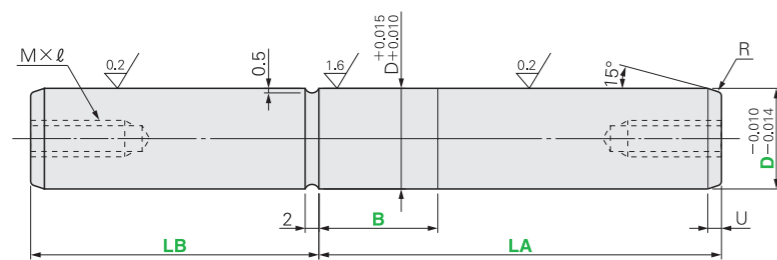


**M**材质 SUJ2  
**H**硬度 58HRC~

YSGPWS(直杆型)



YSGPWH(凸缘型)



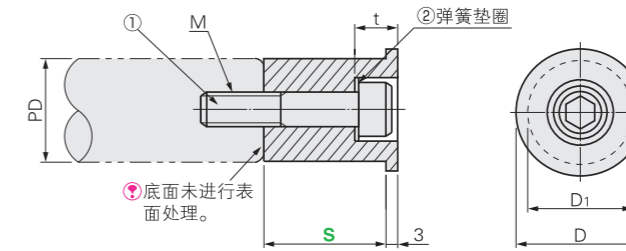
Catalog No.		LA	LB 单位10mm	B 单位1mm	U	R	M x l 螺距	
Type	D							
YSGPWH (凸缘型)	13	60	30~50	10~30	2	1.5	M5 x 22 P0.8	
		70	30~60					
		80	40~60					
YSGPWS (直杆型)	16	70	30~60		3	2		M6 x 25 P1.0
		80	30~70					
		90	40~80					
YSGPWH (凸缘型)	20	80	40~70		4	3	M8 x 25 P1.25	
		90	40~70					
	25	100	50~80					
		110	60~90					

Order 订货范围 Catalog No. - LA - LB - B  
YSGPWS 25 - 100 - 60 - B30

Delivery 交货期 请咨询 Please ask

钢球用固定型挡块/卸料板导柱用夹具

YSSTK(钢球用固定挡块)



**M**材 质 S45C  
**S**表面处理 四氧化三铁保护膜(Fe<sub>3</sub>O<sub>4</sub>)  
**A**附 件 ①CB ②弹簧垫圈

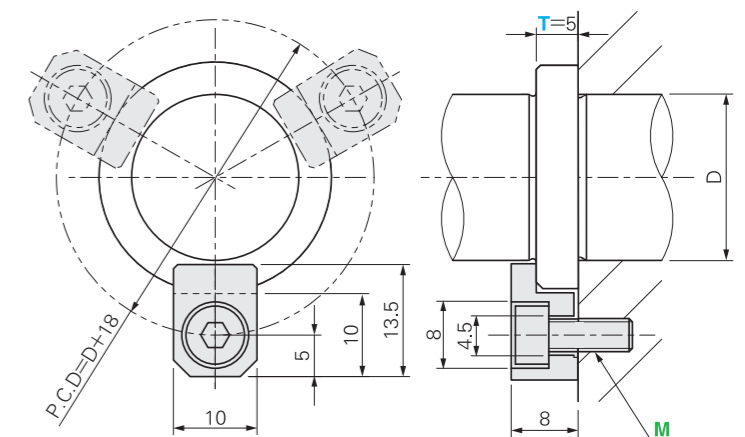
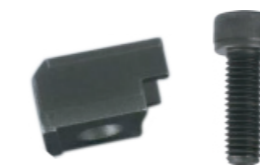
Catalog No.		S 指定单位1mm	D	D1	t	M
Type	No.					
YSSTK (固定型挡块)	13	10~20	15	12	6.5	5
	16	10~20	17.3	15	8.5	6
	20	11~25	24	19	11	8
	25	11~30	29	24		

①附属螺栓 CB						
PD (No.)	S					
	10~13	14~18	19~23	24~28	29~30	
13	M5 x 15	M5 x 20	M5 x 25	-	-	
16	M6 x 15	M6 x 20	M6 x 25	-	-	
20	M8 x 15	M8 x 20	M8 x 25	M8 x 30	-	
25	M8 x 15	M8 x 20	M8 x 25	M8 x 30	M8 x 35	

Order 订货范围 Catalog No. - S  
YSSTK 16 - 12

Delivery 交货期 请咨询 Please ask

YFCLP(卸料板导柱用夹具)



**M**材 质 S45C  
**S**表面处理 四氧化三铁保护膜(Fe<sub>3</sub>O<sub>4</sub>)  
**A**附 件 CB4-10

Order 订货范围 Catalog No. - M  
YFCLP 5 - 4

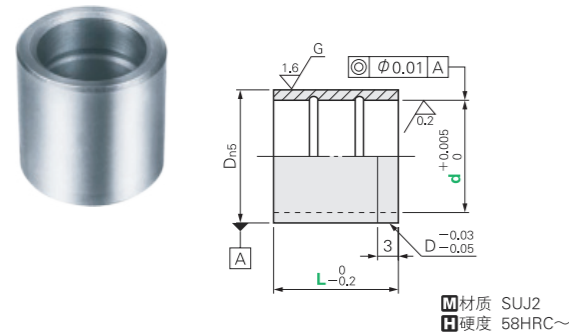
Delivery 交货期 请咨询 Please ask

Catalog No.		M
Type	T	
YFCLP	5	4



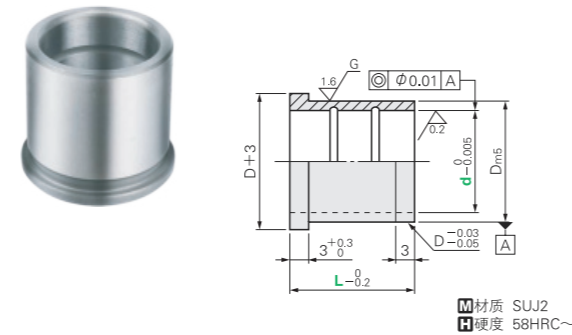
卸料板导柱-油润滑·自润滑型

YSGBA (压入型)



Catalog No.		L				Dn5	
Type	d	10	13	16	20	12	
YSGBA	8	10	13	16	20	12	+0.020 +0.012
	10	10	13	16	20	14	
	13	13	16	20	25	18	
	16	16	20	25	30	22	+0.024 +0.015
	20	20	25	30	35	25	+0.028 +0.017

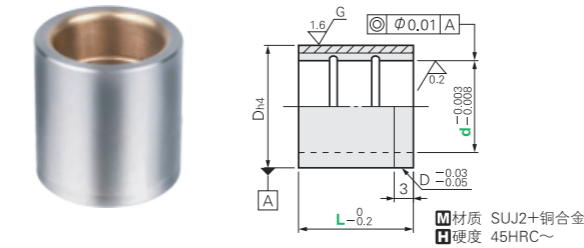
YSGBH (压入型)



Catalog No.		L						Dm5	
Type	d	10	13	16	20	22	25	12	
YSGBH	8	10	13	16	20	22	25	12	+0.015 +0.007
	10	10	13	16	20	22	25	14	
	13	13	16	20	22	25	30	18	
	16	13	16	20	22	25	30	22	+0.017 +0.008
	20	16	20	22	25	30	35	25	
	25	20	22	25	30	35	32	+0.020 +0.009	

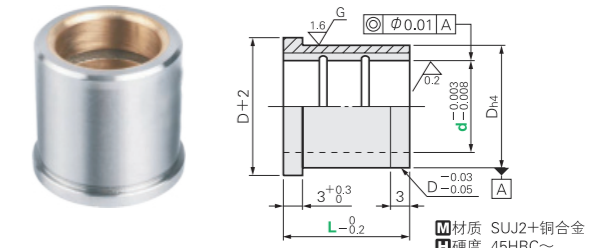
卸料板导柱-油润滑·自润滑型

YSGSF (LOCTITE粘接型)



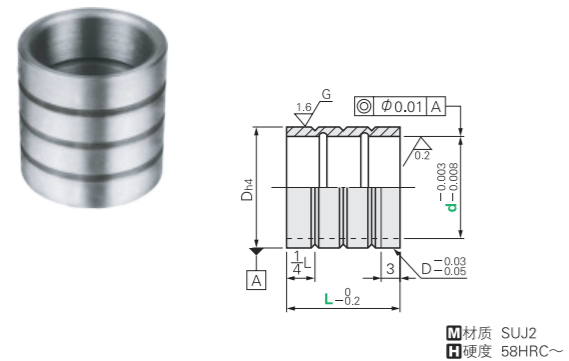
Catalog No.		L						Dh4	
Type	d	10	13	16	20	22	25	16	
YSGSF	10	10	13	16	20	22	25	16	0 -0.005
	13	13	16	20	22	25	30	20	
	16	16	20	22	25	30	35	24	0 -0.006
	20	16	20	22	25	30	35	28	
	25	20	22	25	30	35	34	0 -0.007	

YSGBF (LOCTITE粘接型)



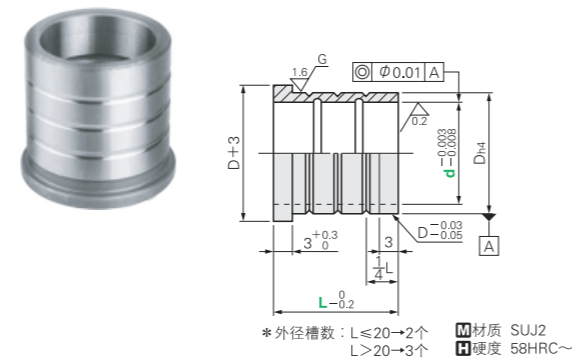
Catalog No.		L						Dh4	
Type	d	10	13	16	20	22	25	16	
YSGBF	10	10	13	16	20	22	25	16	0 -0.005
	13	13	16	20	22	25	30	20	
	16	16	20	22	25	30	35	24	0 -0.006
	20	16	20	22	25	30	35	28	
	25	20	22	25	30	35	34	0 -0.007	

YSGBL (LOCTITE粘接型)



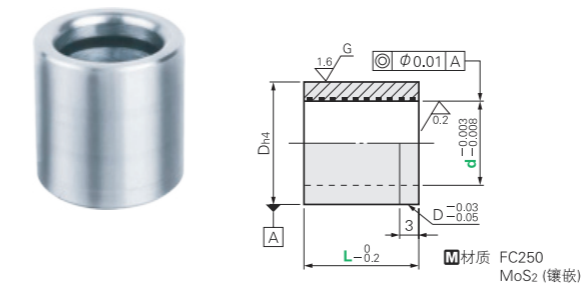
Catalog No.		L				Dh4	
Type	d	10	13	16	20	12	
YSGBL	8	10	13	16	20	12	0 -0.005
	10	10	13	16	20	14	
	13	13	16	20	22	18	
	16	13	16	20	22	22	0 -0.006
	20	16	20	22	25	25	

YSGBT (LOCTITE粘接型)



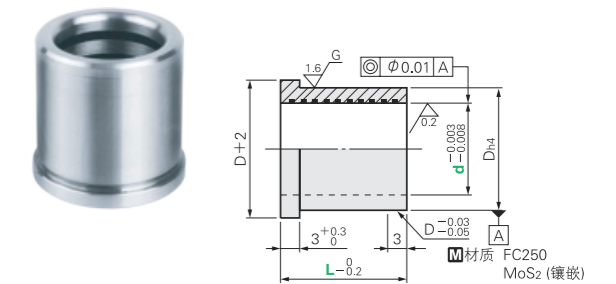
Catalog No.		L						Dh4	
Type	d	10	13	16	20	22	25	12	
YSGBT	8	10	13	16	20	22	25	12	0 -0.005
	10	10	13	16	20	22	25	14	
	13	13	16	20	22	25	30	18	
	16	13	16	20	22	25	30	22	0 -0.006
	20	16	20	22	25	30	35	25	
	25	20	22	25	30	35	32	0 -0.007	

YSGBZ (LOCTITE粘接型)



Catalog No.		L						Dh4	
Type	d	8	10	13	16	20	13		
YSGBZ	10	10	13	16	20	22	16	0 -0.005	
	13	13	16	20	22	25	20		
	16	13	16	20	22	25	24	0 -0.006	
	20	16	20	22	25	30	28		
	25	20	22	25	30	35	34	0 -0.007	

YSGHZ (LOCTITE粘接型)



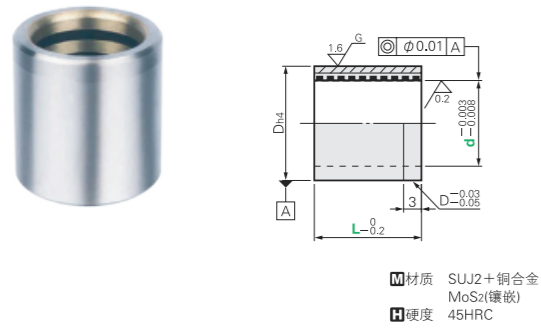
Catalog No.		L						Dh4	
Type	d	8	10	13	16	20	13		
YSGHZ	10	10	13	16	20	22	16	0 -0.005	
	13	13	16	20	22	25	20		
	16	13	16	20	22	25	24	0 -0.006	
	20	16	20	22	25	30	28		
	25	20	22	25	30	35	34	0 -0.007	

Order 订货范围 Catalog No. - L YSGBH 10 - 16 Delivery 交货期 请咨询 Please ask

卸料板导柱-自润滑型/钢球衬套一体型

■铜合金·自润滑型 Ⓞ请在常温环境(40℃以下)使用卸料板导套

YSGCZ (LOCTITE粘接型)

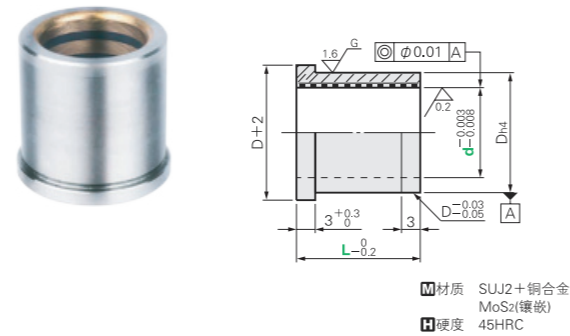


Catalog No.	Type	d	L	D <sub>h4</sub>
YSGCZ	10	10 13 16 20 22 25	16	0 -0.005
	13	13 16 20 22 25 30	20	0 -0.006
	16	16 20 22 25 30 35	24	0 -0.007
	20	20 22 25 30 35	28	0 -0.006
	25	22 25 30 35	34	0 -0.007

\*MoS2(二硫化钼)是耐磨性能优良的特殊固体润滑剂。  
\*SUJ2与铜合金基体以烧结工艺结合在一起。

Order 订货范围 Catalog No. - L YSGFZ 10 - 16 Delivery 交货期 请咨询 Please ask

YSGFZ (LOCTITE粘接型)



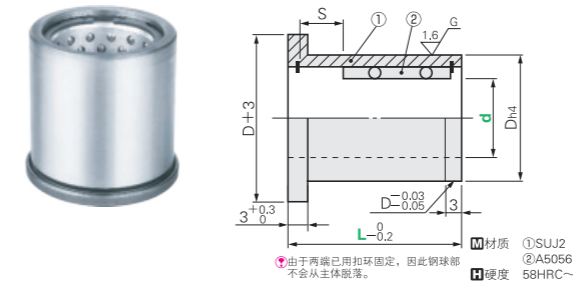
Catalog No.	Type	d	L	D <sub>h4</sub>
YSGFZ	10	10 13 16 20 22 25	16	0 -0.005
	13	13 16 20 22 25 30	20	0 -0.006
	16	16 20 22 25 30 35	24	0 -0.006
	20	20 22 25 30 35	28	0 -0.007
	25	22 25 30 35	34	0 -0.007

\*MoS2(二硫化钼)是耐磨性能优良的特殊固体润滑剂。  
\*SUJ2与铜合金基体以烧结工艺结合在一起。

Order 订货范围 Catalog No. - L YSGBB 20 - 35 Delivery 交货期 请咨询 Please ask

卸料板导套-钢球衬套一体型/钢球衬套用

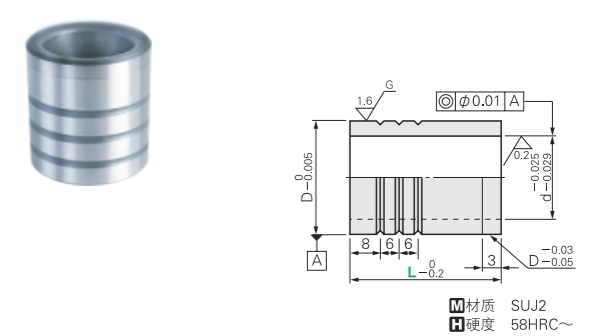
YSGBBF (LOCTITE粘接型)



Catalog No.	Type	d	L (选择)	D <sub>h4</sub>	N 条列数	n 钢球数	S	最大行程
YSGBBF (LOCTITE粘接型)	8	20	16	0 -0.005	5	35	5	10
					7	49		
	10	25	20	0 -0.006	6	48	7.5	15
					8	64		
	13	30	25	0 -0.007	6	60	7.5	15
					8	80		
	16	35	28	0 -0.007	7	77	7.5	15
					9	99		
	20	35	32	0 -0.007	4	44	7.5	15
					6	66		
25	40	38	0 -0.007	6	66	7.5	15	
				8	112			

Order 订货范围 Catalog No. - L YSGBB 20 - 35 Delivery 交货期 请咨询 Please ask

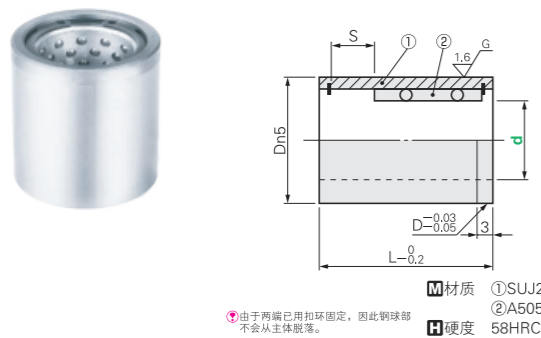
YSGBBW (厚壁LOCTITE粘接型)



Catalog No.	Type	PD	L	d	D
YSGBBW	13	30 35	17	24	0 -0.005
	16	30 35 40	20	28	
	20	35 40 45 50	26	34	
	25	45 50 60	31	40	

Order 订货范围 Catalog No. - L YSGBB 20 - 35 Delivery 交货期 请咨询 Please ask

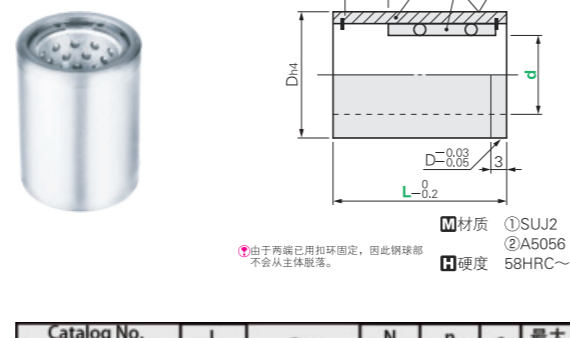
YSGBB (压入型)



Catalog No.	Type	d	D <sub>n5</sub>	L	N 条列数	n 钢球数	S	最大行程
YSGBB (压入型)	8	16	+0.020 +0.012	24	5	55	7.8	15.6
	10	20	+0.024 +0.015	30	6	66	8.4	16.8
	13	25	+0.028 +0.017	37	6	78	10.15	20.3
	16	28	+0.028 +0.017	45	7	96	12.75	25.5
	20	32	+0.028 +0.017	50	7	112	14.0	28.0

Order 订货范围 Catalog No. - L YSGBB 20 - 35 Delivery 交货期 请咨询 Please ask

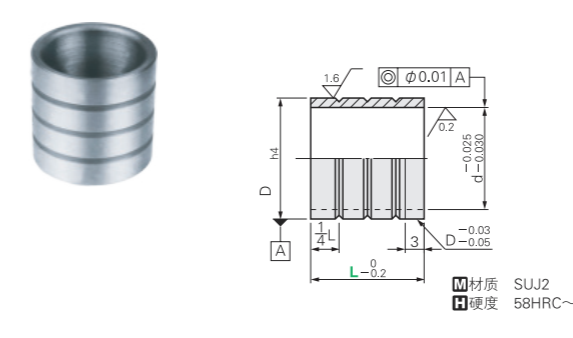
YSGBBL (LOCTITE粘接型)



Catalog No.	Type	d	L (选择)	D <sub>h4</sub>	N 条列数	n 钢球数	S	最大行程
YSGBBL (LOCTITE粘接型)	8	20	16	0 -0.005	5	35	5	10
					7	49		
	10	25	20	0 -0.006	6	48	7.5	15
					8	64		
	13	30	25	0 -0.007	6	60	7.5	15
					8	80		
	16	35	28	0 -0.007	7	77	7.5	15
					9	99		
	20	35	32	0 -0.007	4	44	7.5	15
					6	66		
25	40	38	0 -0.007	6	66	7.5	15	
				8	112			

Order 订货范围 Catalog No. - L YSGBB 20 - 35 Delivery 交货期 请咨询 Please ask

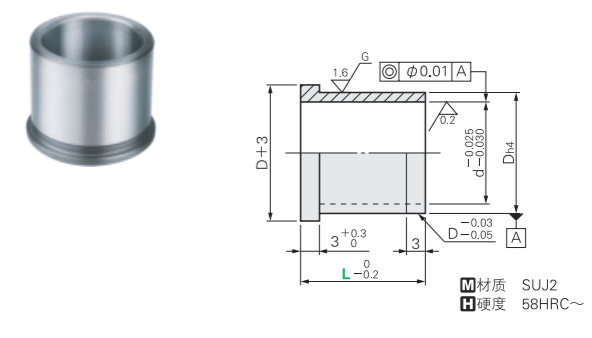
YSGBBS (LOCTITE粘接型)



Catalog No.	Type	PD	L	d	D <sub>h4</sub>
YSGBBS	10	20 25 30	14	18	0 -0.005
	13	20 25 30	17	22	0 -0.006
	16	25 30 35	20	26	0 -0.007
	20	25 30 35 40	26	31	0 -0.007
	25	35 40	31	37	0 -0.007

Order 订货范围 Catalog No. - L YSGBB 20 - 35 Delivery 交货期 请咨询 Please ask

YSGBBH (LOCTITE粘接型)

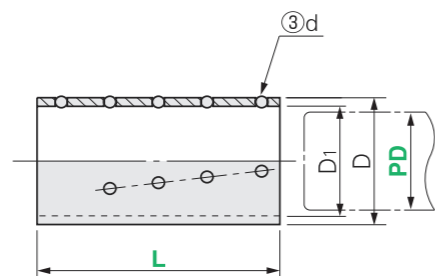
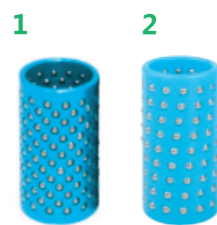


Catalog No.	Type	PD	L	d	D <sub>h4</sub>
YSGBBH	10	20 25 30	14	18	0 -0.005
	13	20 25 30	17	22	0 -0.006
	16	20 25 30 35	20	26	0 -0.006
	20	20 25 30 35 40	26	31	0 -0.007
	25	35 40	31	37	0 -0.007

Order 订货范围 Catalog No. - L YSGBB 20 - 35 Delivery 交货期 请咨询 Please ask

钢球衬套/钢球衬套用弹簧

- 1.YMBSH
- 2.YMBJH



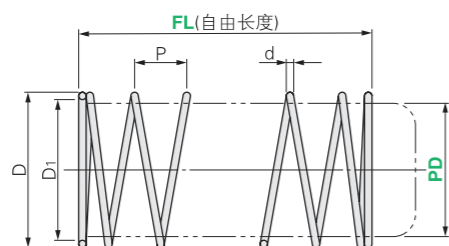
**M**材质 ①A5056 (铝合金)  
②POM (聚缩醛树脂)  
③SUJ2 圆球度0.25μm  
**H**硬度 62~67HRC

Catalog No.		L					D	D1	球型 d
Type	PD								
YMBSH (铝合金)	10	25	30	35		13.7	10.3	2	
	13	25	30	35		16.7	13.3	2	
YMBJH (树脂)	16		30	35	40	19.7	16.3	2	
	20		30	35	40	25.5	20.5	3	
	25		35	40	45	30.5	25.5	3	

Order 订货范围 Catalog No. - L  
YMBJH 20 - 45

Delivery 交货期 请咨询 Please ask

1.YBSWP



**M**材质 SWP-B

Catalog No.		FL	D	D1	d	P
Type	PD	指定单位5mm				
YBSWP (钢球衬套用)	10	30~80	11.7	10.5	0.6	5
	13	30~80	14.9	13.5	0.7	6
	16	30~90	18.3	16.5	0.8	12
	20	35~90	22.5	20.5	1.0	14
	25	40~90	27.9	25.5	1.2	14

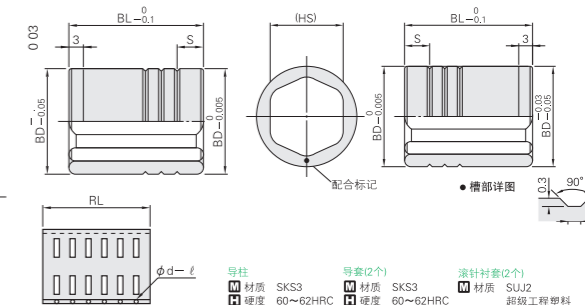
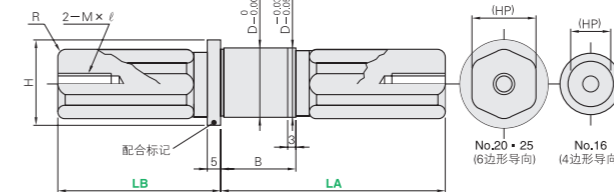
Type		FL(自由长度)																				
PD		30	35	40	45	50	55	60	65	70	75	80	85	90	上段: 压紧长度				下段: 弹簧常数			
YBSWP	10	4.8	5.4	6.0	6.6	7.2	7.8	8.4	9.0	9.6	10.2	10.8										
	13	4.9	5.4	6.1	6.6	7.2	7.8	8.4	8.9	9.6	10.1	10.7										
	16	3.2	3.4	3.7	4.0	4.2	4.5	4.8	5.0	5.3	5.6	5.8	6.1	6.4								
	20	4.7	5.0	5.3	5.6	5.8	6.0	6.5	7.0	7.4	7.7	8.1	8.5									
	25	6.0	6.3	6.6	7.0	7.4	7.9	8.4	8.7	9.0	9.3	9.6										

Order 订货范围 Catalog No. - L  
YBSWP 20 - 80

Delivery 交货期 请咨询 Please ask

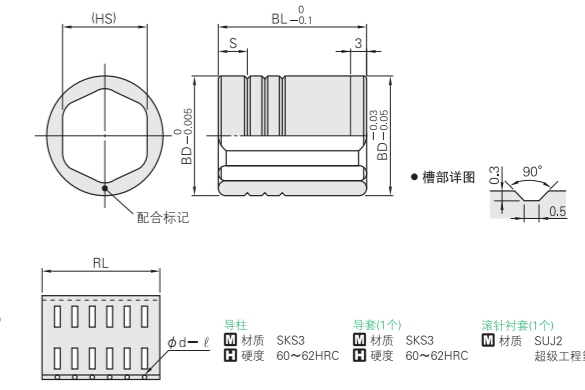
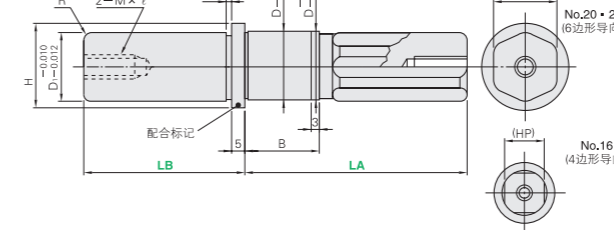
高刚性卸料板滚针导柱组件

YRSGPW



Catalog No.		LA	LB	①导柱					②导套				③滚针衬套				
Type	No.	单位10mm		D	B	R	M×L	H	(HP)	BD	BL	(HS)	S	槽数	RL	d	l
YRSGPW	16	70	40~60	16.5	16	1.5	M6×15	23	14.5	28	40	18.5	7	3	46	2.0	6.8
		80	40~70														
		90	50~80														
	20	80	50~70	20.5	20	2	M8×20	27	19	34	50	23	7	3	56	2.0	7.8
		90	50~80														
		100	60~90														
	25	90	60~80	25.5	25	3	M8×20	32	24	40	60	28	8	3	56	2.0	7.8
		100	60~90														
		110	70~90														

YRSGPS



Catalog No.		LA	LB	①导柱					②导套				③滚针衬套					
Type	No.	单位10mm		D	D1	B	R	M×L	H	(HP)	BD	BL	(HS)	S	槽数	RL	d	l
YRSGPS	16	70	40~60	16.5	16	16	1.5	M6×15	23	14.5	28	40	18.5	7	3	46	2.0	6.8
		80	40~70															
		90	50~80															
	20	80	50~70	20.5	20	20	2	M8×20	27	19	34	50	23	7	3	56	2.0	7.8
		90	50~80															
		100	60~90															
	25	90	60~80	25.5	25	25	3	M8×20	32	24	40	60	28	8	3	56	2.0	7.8
		100	60~90															
		110	70~90															

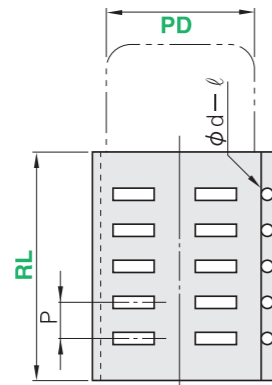
Order 订货范围 Catalog No. - LA - LB  
YRSGPW 25 - 100 - 70

Catalog No. - LA - LB  
YRSGPS 25 - 100 - 70

Delivery 交货期 请咨询 Please ask

滚针衬套/滚针用固定型挡块/滚针用弹簧/卸料板导柱用夹具

YRBJ

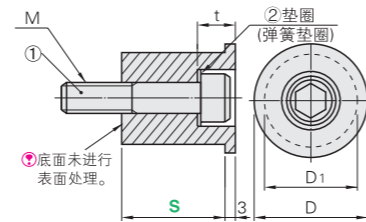


Order 订货范围 YRBJ 20 - 46  
Delivery 交货期 请咨询 Please ask

M 材质 SUJ2  
超级工程塑料

Catalog No.		RL	d	l	P	滚针个数
Type	PD					
YRBJ (滚针衬套)	16	30	2.0	6.8	4.7	24
	20	46	2.0	6.8	6	42
	25	56	2.0	7.8	6.4	48

YRSTKH

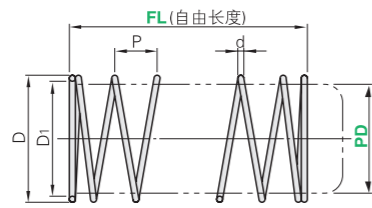


Order 订货范围 YRSTKH 16 - 12  
Delivery 交货期 请咨询 Please ask

M 材质 S45C  
S 表面处理 无电解镀镍  
A 附件 ①CB ②弹簧垫圈

Catalog No.		S 指定单位1mm	D	D1	t
Type	PD				
YRSTKH (固定型挡块)	16	11~20	17	13.5	8.5
	20	11~25	21	18	11
	25	11~30	26	23	11

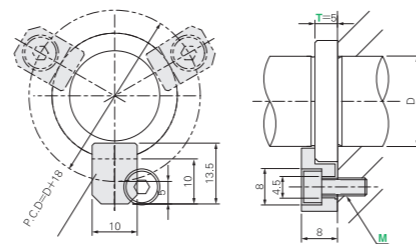
YRSWP



M 材质 SWP-B

Catalog No.		FL 指定单位5mm	D	D1	t	P
Type	PD					
YRSWP (滚针用弹簧)	16	30~80	17.9	16.3	0.8	12
	20	35~80	22.1	20.3	0.9	14
	25	40~80	27.2	25.4	0.9	15

FCLP



M 材质 S45C  
S 表面处理 四氧化三铁保护膜(Fe<sub>3</sub>O<sub>4</sub>)  
A 附件 CB4-10

FCLP可作SGPWH用夹具。  
D20以下用3个，D25以上用4个。

Catalog No.		M
Type	T	
YFCLP	5	4



模架用钢球导柱组件

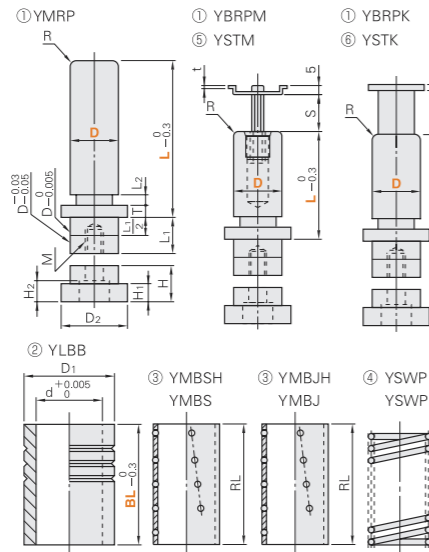
导柱采用高频淬火, 中心无硬度, 安装请勿使用硬物敲击。

高刚性钢球导柱组件

-无挡块- YRBSH (YQBSH)  
-可动挡块- YRMSH (YQMSH)  
-固定挡块- YRKSH (YQKSH)



-无挡块- YRB (YQB)  
-可动挡块- YRM (YQM)  
-固定挡块- YRK (YQK)



Catalog No.	构成零件					
	①	②	③	④	⑤	⑥
YRBSH	YMRP					
YRMSH	YBRPM	YMBSH		YSTM		
YRKSH	YBRPK		YSWP		YSTK	
YQBSH	YMRP	YLBB	YSWP			
YQMSH	YBRPM	YMBJH		YSTM		
YQKSH	YBRPK				YSTK	
YRB	MRP					
YRM	BRPM	YMBS		YSTM		
YRK	BRPK		YSWP		YSTK	
YQB	MRP	YLBB	YSWP			
YQM	BRPM	YMBJ		YSTM		
YQK	BRPK				YSTK	

MRP · BRPM · BRPK											
D	D2	L1	L2	H	H1	H2	T	t	M	R	附属螺栓
20	28	15	10	14	7	8.5	8	1.6	8×18	2.0	CB 8-25
22	30	16									
25	35	18									
28	36	20									
32	40	23	12	16	8	10.5	10	2.0	10×22	3.5	CB10-30
38	49	27									
45	55	32									
50	62	35									
60	72	42	15	20	12	14.5	15	2.0	14×31	4.5	CB14-40

LBB		
d	D1	D1t
26	37	0
28	40	
31	45	
36	50	-0.007
40	55	
48	64	
55	74	-0.008
60	83	
70	95	

RL	S	l1
50	0~19	15
60	0~23	20
75	0~30	25
90	0~37	30
110	0~47	35

Type	M材质 H硬度 S表面处理
YMRP YBRPM YBRPK	M SUJ2 M S45C (安装盖) H 58HRC~ (高频淬火)
YSTM	M S45C S 四氧化三铁保护膜 (Fe3O4)
YSTK	M S45C S 四氧化三铁保护膜 (Fe3O4) 附件 CB

Type	M材质 H硬度
YLBB	M SUJ2 H 58HRC~
YMBSH YMBS	M A5056 (铝合金)

Type	M材质
YMBJH YMBJ	M POM (聚缩醛树脂)
YSWP(L)	M SWP-B

■导套安装方法  
LBB LOCTITE粘接 LOCTITE No.638 (LOC638)

Catalog No.	Type	D	L	②LBB		FL 指定单位10mm
				Type	BL	
YRBSH YRMSH YRKSH YQBSH YQMSH YQKSH YRB YRM YRK YQB YQM YQK	20	80	90 100 110 120 130 140 150 160 170 180 200	L (LBB)	50	40~190
					60	40~140
					50	40~140
	25	80	90 100 110 120 130		60	40~150
					80	40~150
					60	50~150
	28	100	110 120 130 140 150 160		80	50~150
					100	50~150
					75	70~190
	32	120	130 140 150 160		80	70~190
					100	80~190
					90	80~190
38	140	150 160 170 180	80	80~190		
			100	80~190		
			90	80~190		
45	140	150 160 170 180	100	80~190		
			120	80~190		
			110	80~190		
50	160	170 180 200	100	80~190		
			120	80~190		
			110	80~190		
60	160	170 180 200	100	80~190		
			120	80~190		
			110	80~190		

模架用导柱组件

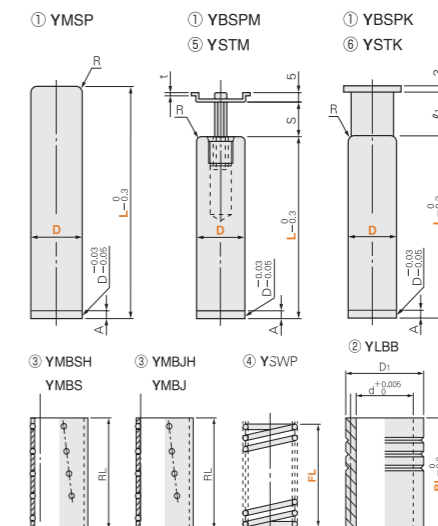
导柱采用高频淬火, 中心无硬度, 安装请勿使用硬物敲击。

高刚性钢球导柱组件

-无挡块- YPBSH (YGBSH)  
-可动挡块- YPMSH (YGMOSH)  
-固定挡块- YPKSH (YGKSH)



-无挡块- YPB (YGM)  
-可动挡块- YPM (YGM)  
-固定挡块- YPK (YGM)



YMSP·YBSPM·YBSPK				
D	A	R	t	
20	4	3.0	1.6	2.0
22				
25				
28	5	3.5	2.0	-0.007
32				
38				
45	6	4.0	2.0	-0.008
50				
60				
60	7	5.0	2.0	-0.010
70				

YLBB		
d	D1	D1t
26	37	0
28	40	
31	45	
36	50	-0.007
40	55	
48	64	
55	74	-0.008
60	83	
70	95	

RL	S	l1
50	0~19	15
60	0~23	20
75	0~30	25
90	0~37	30
110	0~47	35

■导套安装方法

YLBB LOCTITE粘接 LOCTITE No.638 (LOC638)

■高刚性钢球导柱组件

使用钢球数1.6倍于普通钢球衬套的高刚性钢球衬套(YMBSH·YMBJH), 以低成本实现了接近于滑动导柱的刚性。

Order 订货范例 Catalog No. - L - ② - ④FL  
YGBSH 25 - 150 - L 60 - 120  
订货符号 YGBSH2515L6-12

Type	M材质 H硬度 S表面处理
YMSP YBSPM YBSPK	M SUJ2 M S45C (安装盖) H 58HRC~ (高频淬火)
YSTM	M S45C S 四氧化三铁保护膜 (Fe3O4)
YSTK	M S45C S 四氧化三铁保护膜 (Fe3O4) 附件 CB

Type	M材质 H硬度
YLBB	M SUJ2 H 58HRC~
YMBSH YMBS	M A5056 (铝合金)

Type	M材质
YMBJH YMBJ	M POM (聚缩醛树脂)
YSWP	M SWP-B

Catalog No.	Type	D	L	②LBB		FL 指定单位10mm
				Type	BL	
YPBSH YPMSH YPKSH YGBSH YGMOSH YGKSH YPB YPM YPK YGB YGM YBK	20	100	110 120 130 140 150 160 170 180	L (LBB)	50	40~140
					60	40~140
					50	40~140
	25	120	130 140 150 160 170 180		60	40~150
					80	40~150
					60	50~150
	28	140	150 160 170 180 190 200		80	50~150
					100	50~150
					75	70~190
	32	160	170 180 190 200 220 240		80	70~190
					100	80~190
					90	80~190
38	180	190 200 220 240 260	80	80~190		
			100	80~190		
			90	80~190		
45	180	190 200 220 240 260	120	80~190		
			100	80~190		
			110	80~190		
50	200	220 240 260	120	80~190		
			100	80~190		
			110	80~190		
60	200	220 240 260	120	80~190		
			100	80~190		
			110	80~190		

模架用滑动导柱组件

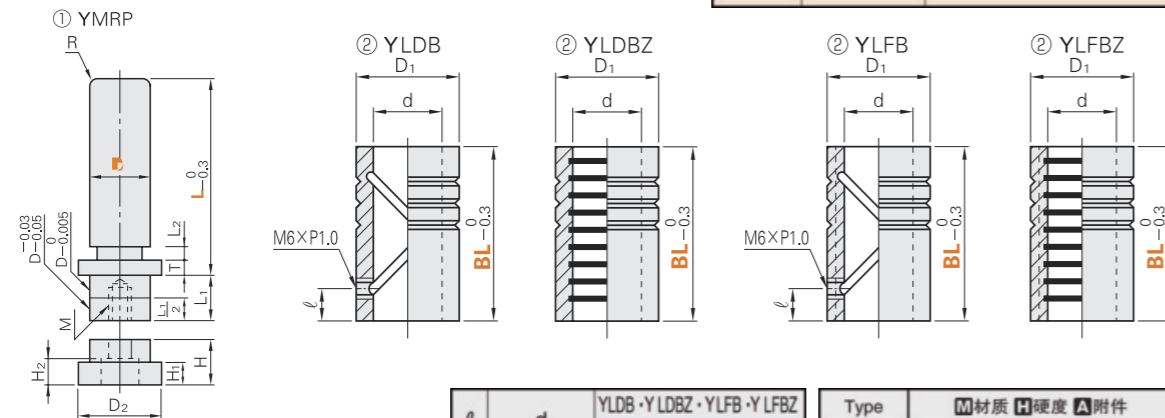
① 导柱采用高频淬火，中心无硬度，安装请勿使用硬物敲击。



Catalog No.	构成零件	
	①	②
YRD	YMRP	YLDB
YRZ		YLDBZ
YRF		YLFB
YRFZ		YLFBZ

■导套安装方法

YLDB YLDBZ YLFB YLFBZ	LOCTITE粘接	LOCTITE No.638 (LOC638)
--------------------------------	-----------	----------------------------



YMRP										
D	D2	L1	L2	H	H1	H2	T	M	R	附属螺栓
20	28	15	10	14	7	8.5	5	8	2.0	CB 8-25
22	30	16	10	14	7	8.5	5	8	2.0	CB 8-25
25	35	18	10	14	7	8.5	5	8	2.0	CB 8-25
28	36	20	12	16	8	10.5	10	10	3.5	CB10-30
32	40	23	12	16	8	10.5	10	10	3.5	CB10-30
38	49	27	12	18	10	12.5	12	12	4.0	CB12-35
45	55	32	15	18	10	12.5	12	12	4.0	CB12-35
50	62	35	15	20	12	14.5	15	14	4.5	CB14-40
60	72	42	15	20	12	14.5	15	14	4.5	CB14-40

ℓ	d	YLDB · YLDBZ · YLFB · YLFBZ	
		D1	D1
10	20	31	0
	22	34	-0.007
	25	37	-0.007
	28	42	-0.007
15	32	46	-0.008
	38	54	-0.008
	45	62	-0.008
	50	70	-0.010
60	80	-0.010	-0.010

Type	M材质 H硬度 A附件
YMRP	MSUJ2 H58HRC~ (高频淬火) MS45C (安装盖) A安装盖用螺栓 CB
YLDB	MSUJ2 H58HRC~ A润滑脂喷嘴 GPA6A
YLDBZ	MSUJ2 MoS2 (镶嵌) H58HRC~
YLFB	MSUJ2 · 铜合金 H45HRC~ A润滑脂喷嘴 GPA6A
YLFBZ	MSUJ2 · 铜合金 MoS2 (镶嵌) H45HRC~

Catalog No.	Type	D	L															RD Type	BL
			20	80	90	100	110	120	130	(140)	(150)	(160)	(170)	(180)	(200)				
YRD YRZ YRF YRFZ	L (LDB)	20	80	90	100	110	120	130	(140)	(150)	(160)	(170)	(180)	(200)	*仅RD型指定	50			
		22	80	90	100	110	120	50	60										
		25	80	90	100	110	120	130	60	80									
		28	100	110	120	130	140	150	160	60	80								
		32	120	130	140	150	160	80	100										
YRD YRZ	L (LDB)	38	140	150	160	170	180	80	100	*120									
		45	140	150	160	170	180	*80	100	120									
		50	160	170	180	200	100	120											
YRD	L (LDB)	60	160	170	180	200	100	120											

( )尺寸只限YRZ · YRD。 \*号尺寸只限YRZ。

Order 订货范围 Catalog No. - L - ② · BL  
YRD 20 - 120 - L50  
订货符号 YRD 2012L5  
YRZ 2012L5

Delivery 交货期 请咨询 Please ask

模架用滑动导柱组件

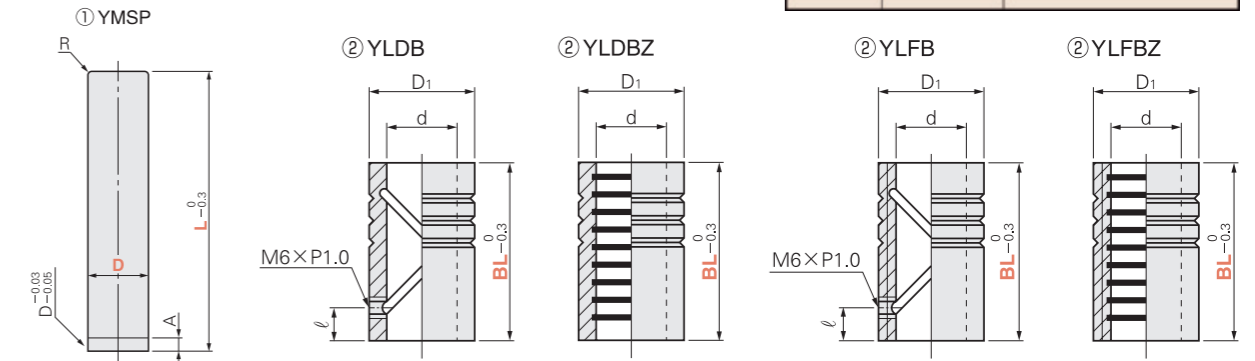
① 导柱采用高频淬火，中心无硬度，安装请勿使用硬物敲击。



Catalog No.	构成零件	
	①	②
YPD	MSP	LDB
YPZ		LDBZ
YPF		LFB
YPFZ		LFBZ

■导套安装方法

YLDB YLDBZ YLFB YLFBZ	LOCTITE粘接	LOCTITE No.638 (LOC638)
--------------------------------	-----------	-------------------------



YMSP			
D	A	R	
20		2.0	
22	4	3.0	
25			
28	5	3.5	
32			
38	6	4.0	
45			
50	7	4.5	
60			

ℓ	d	YLDB · YLDBZ · YLFB · YLFBZ	
		D1	D1
10	20	31	0
	22	34	-0.007
	25	37	-0.007
	28	42	-0.007
15	32	46	-0.008
	38	54	-0.008
	45	62	-0.008
	50	70	-0.010
60	80	-0.010	-0.010

Type	M材质 H硬度 A附件
YMSP	MSUJ2 H58HRC~ (高频淬火)
YLDB	MSUJ2 H58HRC~ A润滑脂喷嘴 GPA6A
YLDBZ	MSUJ2 MoS2 (镶嵌) H58HRC~
YLFB	MSUJ2 · 铜合金 H45HRC~ A润滑脂喷嘴 GPA6A
YLFBZ	MSUJ2 · 铜合金 MoS2 (镶嵌) H45HRC~

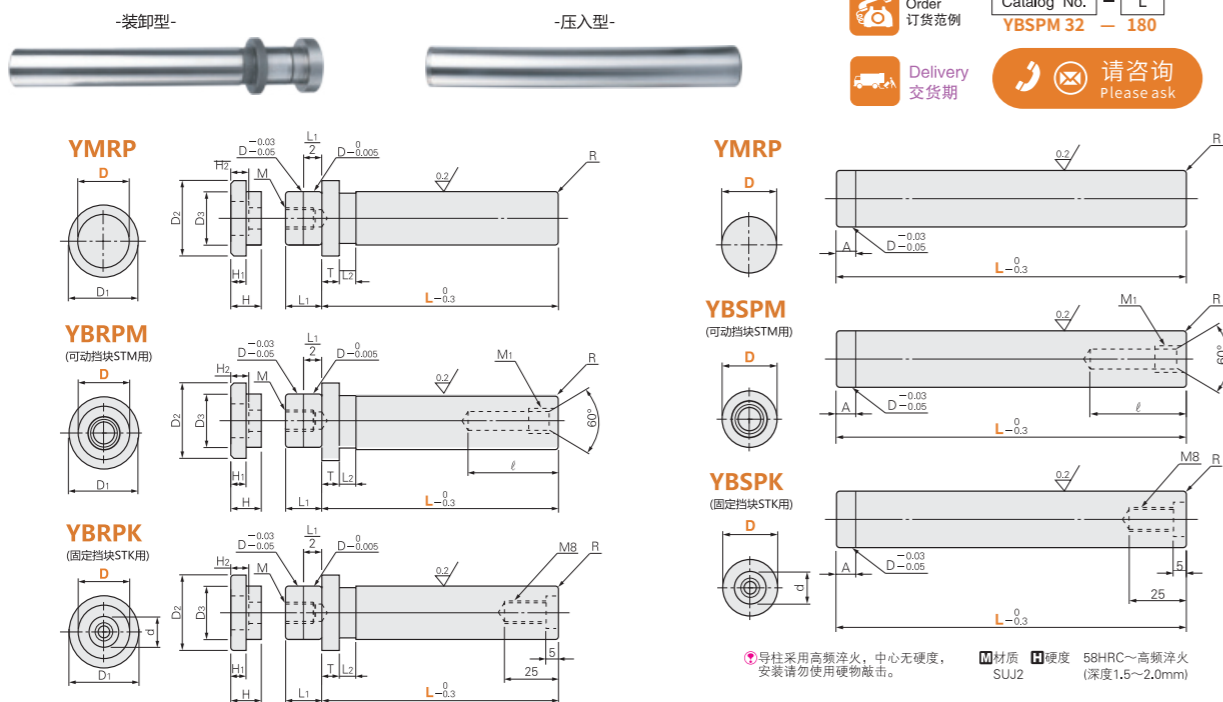
Catalog No.	Type	D	L															PD Type	BL
			20	100	110	120	130	140	150	160	170	180							
YPD YPZ YPF YPFZ	L (LDB)	20	100	110	120	130	140	150	160	170	180	*仅PD型指定	50						
		22	120	130	140	150	160	170	180	50	60								
		25	120	130	140	150	160	170	180	60	80								
		28	140	150	160	170	180	190	200	60	80								
		32	160	170	180	190	200	220	240	80	100								
YPD YPZ	L (LDB)	38	180	190	200	220	240	260	80	100	*120								
		45	180	190	200	220	240	260	*80	100	120								
		50	200	220	240	260	100	120											
YPD	L (LDB)	60	200	220	240	260	100	120											

\*号尺寸只限YPZ。

Order 订货范围 Catalog No. - L - ② · BL  
YPD 28 - 160 - L80  
订货符号 YPD 2816L8  
YPZ 2816L8

Delivery 交货期 请咨询 Please ask

模架用滑导柱

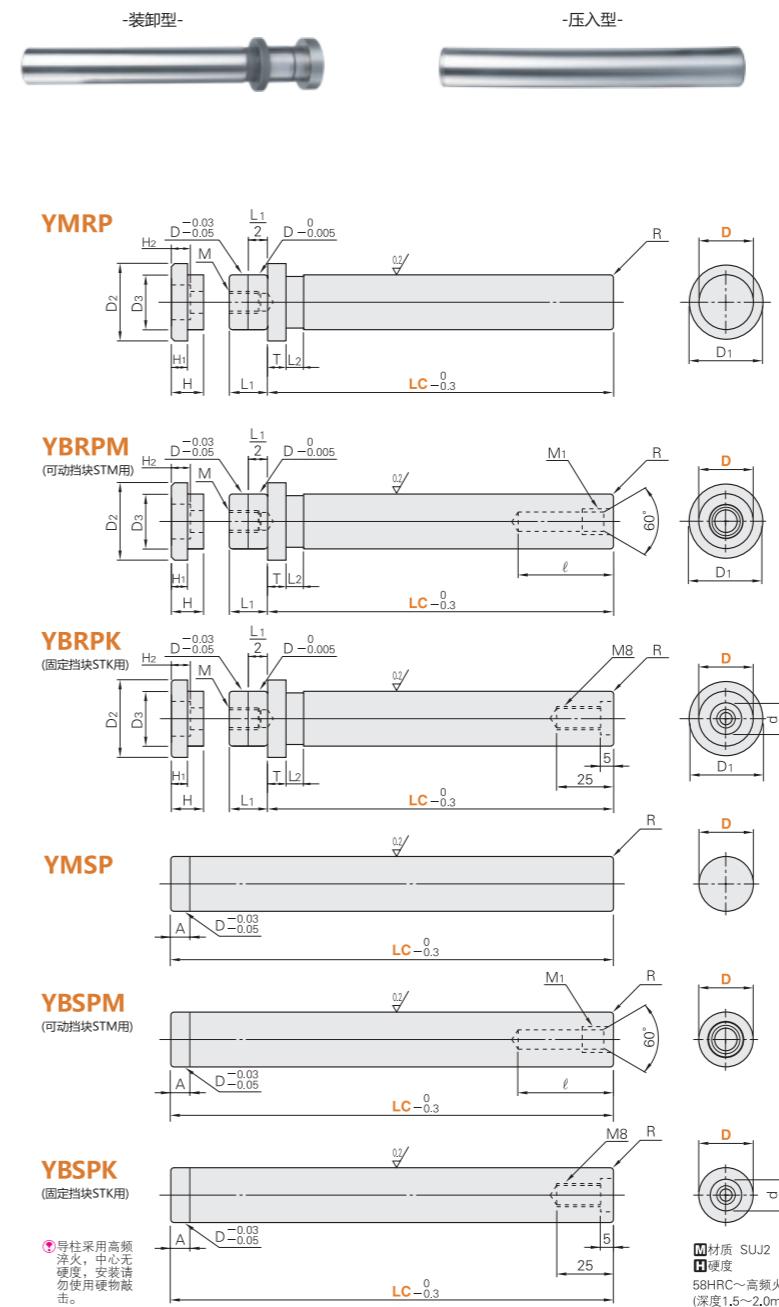


D	D1	T	L1	L2	ℓ	M1×P	d	A	M	R	D2	D3	H	H1	H2	▲ 附属螺栓
20		29	5	15	38	M10×1.5	14	4	M 8×18	2.0	28	19.5				CB 8-25
22	+0.020	31	8	16	42	M10×1.5	14	4	M 8×18	3.0	30	21.5	14	7	8.5	CB 8-25
25	+0.015	35	8	18	50											
28	+0.025	39	10	20	50	M12×1.5	20	5	M10×22	3.5	36	27.5	16	8	10.5	CB10-30
32	+0.020	44	10	23	60	40										
38	+0.030	53	12	27	60	M16×1.5	20	6	M12×27	4.0	49	37.5	18	10	12.5	CB12-35
45	+0.025	59	12	32	70											
50	+0.035	69	15	35	70	M16×1.5	20	7	M14×31	5.0	62	49.5	20	12	14.5	CB14-40
60	+0.030	79	15	42	70											

Catalog No.		L															
Type	D	80	90	100	110	120	130	140	150	160	170	180	200				
YMRP	20	80	90	100	110	120	130	140	150	160	170	180	200				
	22	80	90	100	110	120											
	25	80	90	100	110	120	130										
YBRPM	32			100	110	120	130	140	150	160							
	38					120	130	140	150	160							
YBRPK	45							140	150	160	170	180					
	50									140	150	160	170	180			
	60										160	170	180	200			

Catalog No.		L															
Type	D	100	110	120	130	140	150	160	170	180							
YMSP	20	100	110	120	130	140	150	160	170	180							
	22			120	130	140	150	160	170	180							
	25			120	130	140	150	160	170	180							
YBSPM	28					140	150	160	170	180	190	200					
	32							160	170	180	190	200	220	240			
YBSPK	38									180	190	200	220	240	260		
	45										180	190	200	220	240	260	
	50											200	220	240	260		
	60												200	220	240	260	

模架用滑导柱-长度加长指定型



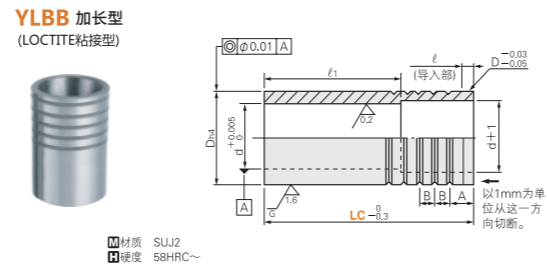
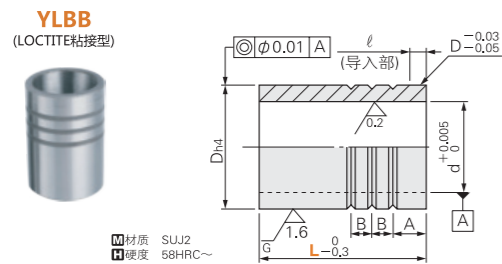
D	D1	T	L1	L2	ℓ	M1×P	d	A	M	R	D2	D3	H	H1	H2	▲ 附属螺栓
20		29	5	15	38	M10×1.5	14	4	M 8×18	2.0	28	19.5				CB 8-25
22	+0.020	31	8	16	42	M10×1.5	14	4	M 8×18	3.0	30	21.5	14	7	8.5	CB 8-25
25	+0.015	35	8	18	50											
28	+0.025	39	10	20	50	M12×1.5	20	5	M10×22	3.5	36	27.5	16	8	10.5	CB10-30
32	+0.020	44	10	23	60	40										
38	+0.030	53	12	27	60	M16×1.5	20	6	M12×27	4.0	49	37.5	18	10	12.5	CB12-35
45	+0.025	59	12	32	70											
50	+0.035	69	15	35	70	M16×1.5	20	7	M14×31	5.0	62	49.5	20	12	14.5	CB14-40
60	+0.030	79	15	42	70											

Order 订货范例 Catalog No. YBSPM 22 - LC 205  
Delivery 交货期 请咨询 Please ask

Catalog No.		指定单位1mm LC
Type	D	
YMRP	20	201 ~ 250
	22	121 ~ 160
		161 ~ 200
	25	201 ~ 250
		131 ~ 160
		161 ~ 200
	28	201 ~ 240
		241 ~ 300
		161 ~ 200
	YBRPM	201 ~ 240
		241 ~ 300
	YBRPK	161 ~ 200
201 ~ 240		
241 ~ 350		
38	181 ~ 200	
	201 ~ 240	
	241 ~ 260	
45	261 ~ 400	
	181 ~ 260	
	261 ~ 400	
50	201 ~ 260	
	261 ~ 400	
	201 ~ 260	
60	201 ~ 260	
	261 ~ 400	

Catalog No.		指定单位1mm LC
Type	D	
YMSP	20	181 ~ 200
	22	201 ~ 240
		241 ~ 300
	25	181 ~ 200
		201 ~ 240
		241 ~ 300
	28	201 ~ 240
		241 ~ 300
		301 ~ 350
	YBSPM	201 ~ 240
		241 ~ 300
		301 ~ 350
YBSPK	241 ~ 300	
	301 ~ 350	
	351 ~ 400	
38	261 ~ 300	
	301 ~ 350	
	351 ~ 400	
45	401 ~ 450	
	261 ~ 300	
	301 ~ 400	
50	401 ~ 450	
	261 ~ 400	
	401 ~ 500	
60	261 ~ 400	
	401 ~ 500	

模架用钢球导套



Catalog No.	Type	PD	L					
YLBB (LOCTITE粘接型)	20	50	60	80	100	120		
	22	50	60					
	25	60	80					
	28	60	80					
	32		80	100				
	38		80	100				
	45			100	120			
	50			100	120			
	60			100	120			

Catalog No.	Type	PD	L					
YLBB (LOCTITE粘接型)	20	50	60	80	100	120		
	22	50	60					
	25	60	80					
	28	60	80					
	32		80	100				
	38		80	100				
	45			100	120			
	50			100	120			
	60			100	120			

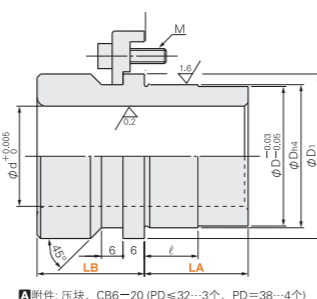
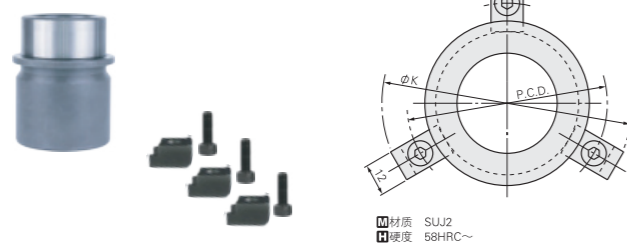
PD 适用导柱直径	d	Dh4	LBB		
20	26	37	0	4	10
22	28	40			
25	31	45			
28	36	50	-0.007	5	12
32	40	55			
38	48	64	-0.008	6	15
45	55	74			
50	60	83			
60	70	95	-0.010		

d	Dh4	ℓ	A	B	有效滑动长度 ℓ1	Catalog No. Type	LC 指定单位1mm
26	37	4	12	7×7个	60	20	61~120
28	40					22	61~120
31	45					25	81~120
36	50	5	10×5个	80	100	28	101~150
40	55					32	101~150
48	64	15	10×6个	120	120	38	101~180
55	74					45	121~180
60	83					50	121~200
70	95	6	10×8个			60	121~200

Order 订货范围 YLBB 45 - 120 Delivery 交货期 请咨询 Please ask

Order 订货范围 YLBB 22 - LC100 Delivery 交货期 请咨询 Please ask

YRBB

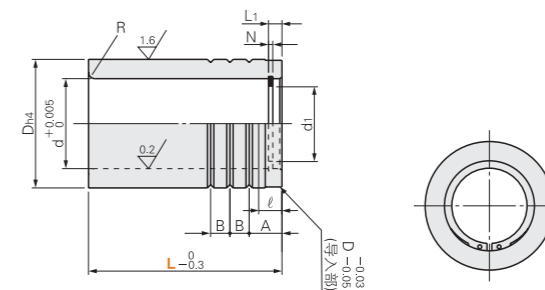


Catalog No.	Type	PD	LA	LB	PD 适用导柱直径	d	Dh4	D1	ℓ	P.C.D.	K	M
YRBB	20	30	20	20	20	26	37	43	15	55	71	6
		35	25									
	22	30	20	22	22	28	40	46	18	58	74	
		35	25									
	25	35	25	25	25	31	45	51	18	63	79	
		40	40									
	28	35	25	28	28	36	50	56	18	68	84	
		40	40									
	32	40	40	32	32	40	55	61	18	73	89	
		50	50									
	38	40	40	38	38	48	64	70	20	82	98	
		50	50									

Order 订货范围 YRBB 25 - 40 - 40 Delivery 交货期 请咨询 Please ask

Delivery 交货期 请咨询 Please ask

下模架用钢球导套·弹簧



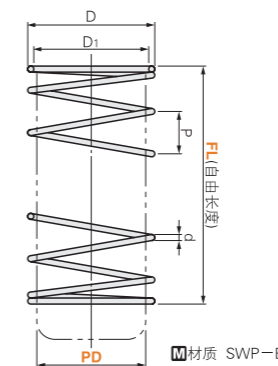
材质 SUJ2 硬度 58HRC~  
附件 扣环(弹簧钢44~52HRC)

Catalog No.	Type	PD	L		PD 适用导柱直径	d	Dh4	ℓ	A	B	L1	N	R	d1		
YLBBS	20	50	20		20	26	37	0	4	10	6	4	1.35	2.5	21.4	
	22	50	60	+0.020	22	28	40								23	
	25	60	80	+0.015	25	31	45								26	
	28	60	80	28	+0.025	36	50	0	5	12	7	4.5	1.65	3	30	
	32	80	100	32	+0.020	40	55								33.2	
	38	80	100	38	+0.030	48	64	-0.008	6	15	5	2.2	3.5	3	40	
	45	100	120	45	+0.025	55	74								46.8	
	50	100	120	50	+0.035	60	83								51.3	
	60	100	120	60	+0.030	70	95	-0.010								61

Order 订货范围 YLBBS 50 - 120

Delivery 交货期 请咨询 Please ask

YSWPB (YLBBS专用弹簧)



材质 SWP-B

下模架用钢球导套的特长

- 导向稳定...可缩短凸模与凹模刃口与导柱与导套之间的距离。(A<B)
- 凸模与凹模易于重新研磨...由于刃口与导柱前端之间的距离缩短,因此,无需拆卸导柱即可进行重新研磨。

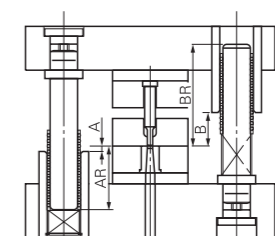


图1.下模导套与通常导套

导套的安装		
凸模	○	○
凹模	○	△
如果R>AR, BR, 则可重新研磨		

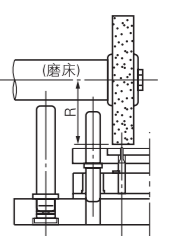


图2.凸模的重新研磨

Catalog No.	Type	PD	FL 指定单位5mm	D	D1	d	P
YSWPB	20	25~40	25	23.2	0.9	12	
	22	25~50	27	25.0	1.0		
	25	25~60	30	27.8	1.1	13	
	28	25~60	35	32.6	1.2		
	32	35~70	39	36.0	1.5	15	
	38	35~70	47	43.4	1.8		
	45	45~80	54	50.0	2.0	20	
	50	45~80	59	54.4	2.3		
	60	45~80	69	63.8	2.6		

弹簧的压紧长度

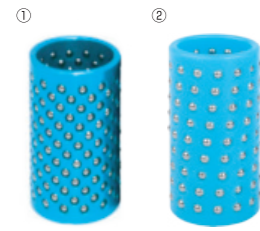
PD	FL(自由长度)											
20	3.7	4.0	4.4	4.8	-	-	-	-	-	-	-	-
22	4.1	4.5	4.9	5.3	5.7	6.2	-	-	-	-	-	-
25	4.3	4.7	5.2	5.6	5.9	6.4	6.8	7.3	-	-	-	-
28	4.4	4.8	5.2	5.6	6.0	6.4	6.8	7.2	-	-	-	-
32	-	-	6.4	7.0	7.5	8.0	8.5	9.4	10.0	-	-	-
38	-	-	7.0	7.6	8.0	8.6	9.0	9.5	10.6	-	-	-
45	-	-	-	8.6	9.0	9.6	10.0	10.6	11.0	11.6	12.0	-
50	-	-	-	9.9	10.4	11.0	11.5	12.2	12.6	13.3	13.8	-
60	-	-	-	11.2	11.7	12.5	13.0	13.8	14.3	15.1	15.6	-

Order 订货范围 YSWPB 25 - 50

Delivery 交货期 请咨询 Please ask



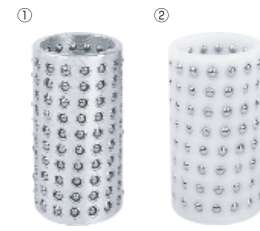
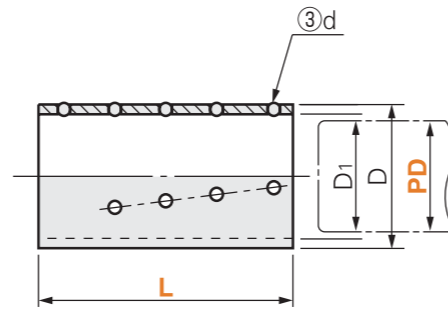
模架用钢球衬套



YMBSH (高刚性·铝合金钢球衬套)

YMBJH (高刚性·树脂钢球衬套)

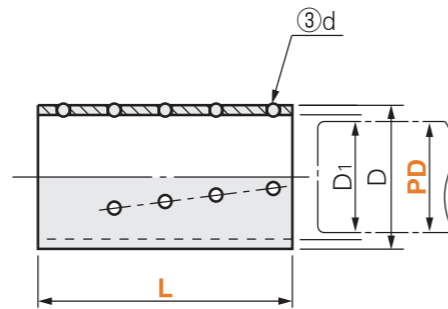
- 材质 ①A5056(铝合金)  
②POM(聚缩醛树脂)  
③SUJ2 圆球度0.25μm  
④每批钢球直径误差≤3μm  
硬度 ⑤62~67HRC



YMBS (铝合金球衬套)

YMBJ (树脂球衬套)

- 材质 ①A5056(铝合金)  
②POM(聚缩醛树脂)  
③SUJ2 圆球度0.25μm  
④每批钢球直径误差≤3μm  
硬度 ⑤62~67HRC



Catalog No.	Type	PD	L	PD 适用导柱直径	外径 ΦD	内径 ΦD1	钢球直径 Φd	钢球数				
								MBSH MBJH	MBS MBJ	比率		
YMBSH (铝合金)	20	50	20	+0.020 +0.015	25.5	20.5	3	165	96	1.72		
								180	112	1.61		
	22	60	22		228	140		1.63				
					266	160		1.66				
	25	75	25		204	112		1.82				
					350	208		1.68				
YMBJH (树脂)	28	75	28	+0.025 +0.020	35.5	28.5	4	252	154	1.64		
								294	176	1.67		
	32	90	32		350	208		1.68				
238					144	1.65						
YMBS (铝合金)	38	90	38		+0.030 +0.025	47.5		38.5	5	280	176	1.67
										320	198	1.70
YMBJ (树脂)	45	110	45	+0.035 +0.030		54.5	45.5	5		400	234	1.71
										360	220	1.72
50	110	50	450			260	1.73					
			400			242	1.74					
60	110	60	400		242	1.74						
			500		286	1.75						

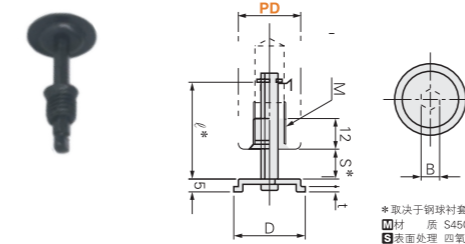
Order 订货范围 Catalog No. - L YMBJ 45 - 110

Delivery 交货期 请咨询 Please ask

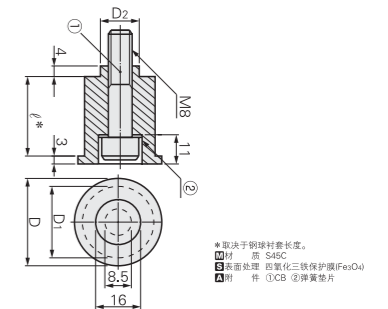
钢球导柱用挡块·弹簧

YSTM (可动挡块)

YSTK (固定挡块)



- \*取决于钢球衬套长度。  
材质 S45C, SPC-1(挡块盖)  
表面处理 四氧化三铁保护膜(Fe<sub>3</sub>O<sub>4</sub>)



- \*取决于钢球衬套长度。  
材质 S45C  
表面处理 四氧化三铁保护膜(Fe<sub>3</sub>O<sub>4</sub>)  
附件 ①CB ②弹簧垫片

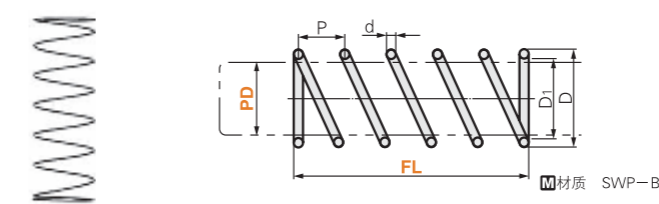
Catalog No.		L 钢球衬套长度				PD 适用导柱直径	D	M×P	B	t	D1	D2	②附件 弹簧垫片
Type	PD	20	50	60	75	90	110						
YSTM (可动挡块)	20	50	60	75	90	110	20	24	10×1.5	5	1.6	19	根据 JIS B151-1984 的公称为8mm
	22	50	60				22	26				21	
	25		60	75				25	29			24	
	28		60	75				28	33	12×1.5	6	27	
	32			75	90			32	37			31	
YSTK (固定挡块)	38			75	90		38	44				37	
	45				90	110	45	51	16×1.5	8	2.0	44	
	50				90	110	50	56				49	
	60				90	110	60	66				59	

L 钢球衬套长度	YSTM		YSTK	
	S	l	l	①CB
50	0~19	31	15	8-30
60	0~23	35	20	8-35
75	0~30	42	25	8-40
90	0~37	49	30	8-45
110	0~47	59	35	8-50

Order 订货范围 Catalog No. - L YSTM 32 - 90

Delivery 交货期 请咨询 Please ask

YSWP YSWPL (长型)



PD 通用导柱直径	D	D1 <sup>+1</sup> <sub>0</sub>	d	P
20	22.5	20.5	1.0	14
22	24.5	22.5	1.0	14
25	27.9	25.5	1.2	14
28	31.3	28.5	1.4	16
32	35.7	32.5	1.6	16
38	42.5	38.5	2.0	18
45	50.1	45.5	2.3	20
50	55.7	50.5	2.6	20
60	66.9	60.5	3.2	20

\*压紧长度 ≈ FL × d / P + 2d

Catalog No.		FL 指定单位10mm	
Type	PD		
YSWP	20	40~90	
		100~140	
	22	40~90	
		100~140	
	25	40~90	
		100~150	
	28	50~90	
		100~150	
	32	70~140	
		150~190	
	38	80~140	
		150~190	
45	80~140		
	150~190		
50	80~140		
	150~190		
60	80~140		
	150~190		

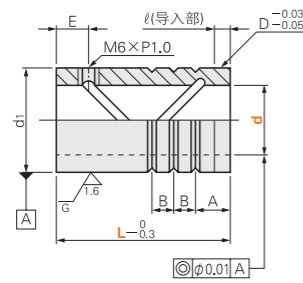
Catalog No.		FL 指定单位10mm	
Type	PD		
YSWPL (长型)	20	150~190	
		200~240	
	22	150~190	
		200~240	
	25	160~200	
		210~260	
	28	160~200	
		210~260	
	32	200~220	
		230~260	
	38	200~240	
		250~300	
45	200~240		
	250~300		
50	200~240		
	250~300		
60	200~240		
	250~300		

Order 订货范围 Catalog No. - FL YSWPB 25 - 50

Delivery 交货期 请咨询 Please ask

模架用滑动导套

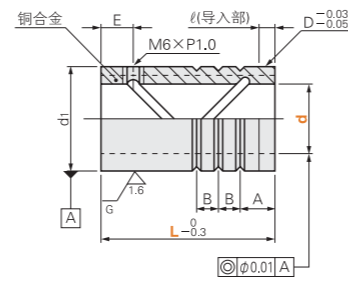
**YLDB**  
(LOCTITE粘接型)



■材质 SUJ2 ■硬度 58HRC~ ■附件 润滑脂喷嘴 GPA6A

Catalog No.		L	
Type	d		
YLDB	20	50	
	22	50	60
	25	60	80
	28	60	80
	32	80	100
	38	80	100
	45	100	120
	50	100	120
60	100	120	

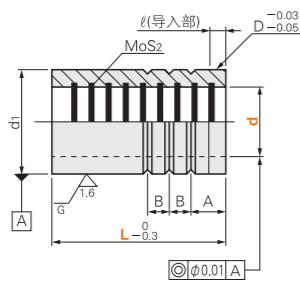
**YLFB**  
(铜合金型)



■材质 SUJ2+铜合金 ■硬度 45HRC~(SUJ2部分) ■附件 润滑脂喷嘴 GPA6A

Catalog No.		L	
Type	d		
YLFB	20	50	
	22	50	60
	25	60	80
	28	60	80
	32	80	100

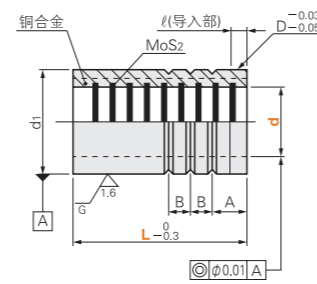
**YLDBZ**  
(自润滑型)



■材质 SUJ2 MoS2(镀嵌) ■硬度 58HRC~

Catalog No.		L	
Type	d		
YLDBZ	20	50	
	22	50	60
	25	60	80
	28	60	80
	32	80	100
	38	80	100
	45	100	120
	50	100	120

**YLFZ**  
(LOCTITE粘接型)



■材质 SUJ2+铜合金 MoS2(镀嵌) ■硬度 45HRC~(SUJ2部分)

Catalog No.		L	
Type	d		
YLFZ	20	50	
	22	50	60
	25	60	80
	28	60	80
	32	80	100



d	d1	d1 公差		E	A	B	E
		LDB-YLFB-YLDBZ-YLFZ	YLFZ				
20	31	0 -0.007	4	10	6	10	L 80~E10 L100~E15
22	34						
25	37						
28	42	5	12	7	15	15	15
32	46						
38	54	6	15	10	10	15	15
45	62						
50	70	0 -0.010	6	15	10	10	15
60	80						

\*50规格只限YLDBZ.

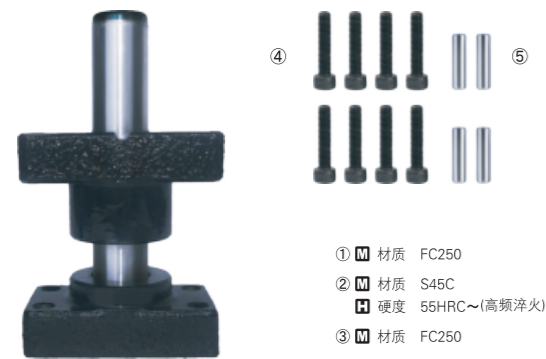
■粘接方法

Catalog No.	粘接剂
YLDB YLDBZ YLFB YLFZ	LOCTITE No.638 (LOC638)

Order 订货范围 Catalog No. - L  
YLFZ 28 - 80

Delivery 交货期 请咨询 Please ask

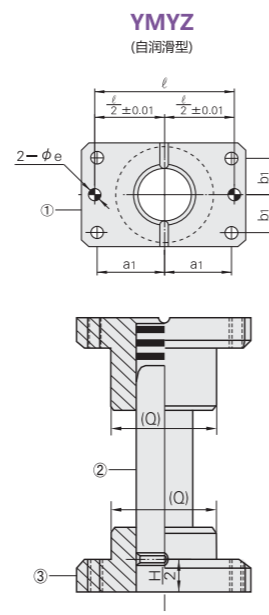
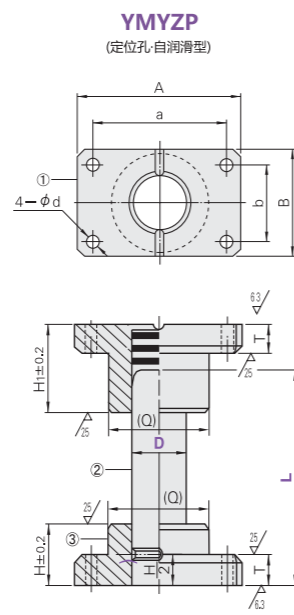
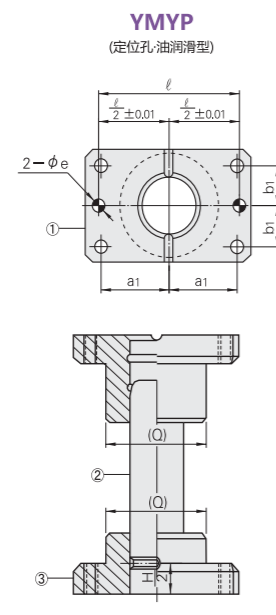
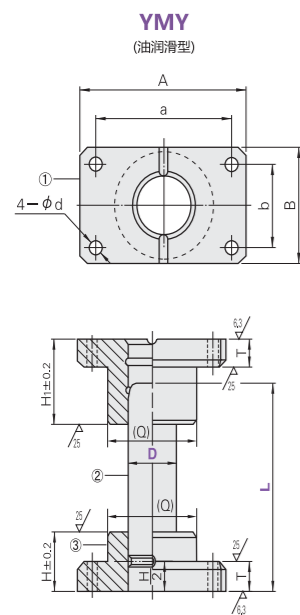
滑动型独立导柱组件



- ① 材质 FC250
- ② 材质 S45C
- ③ 材质 FC250



- ① 材质 FC250  
特殊固体润滑剂 (镶嵌)
- ② 材质 S45C
- ③ 材质 FC250



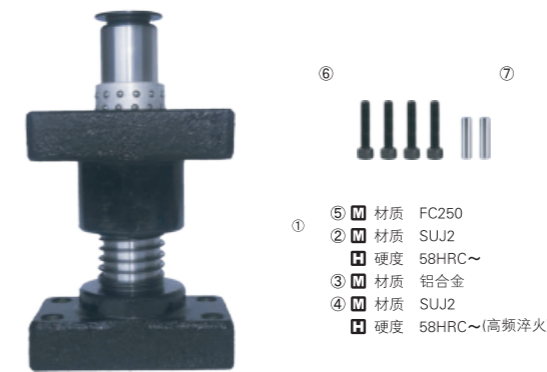
D	A	B	a	b	d	H	H <sub>1</sub>	T	Q参考值	ℓ	a <sub>1</sub>	b <sub>1</sub>	eH7	④附属螺栓	⑤附属定位销
20	74	44	56	30	6.6	30	40	15	42	56	28	15	6	CB 6-30	MSTM 6-20
25	84	48	66	30	9	30	45	20	46	66	33	15	8	CB 8-35	MSTM 8-30
32	100	58	76	36	11	40	50	20	56	76	38	18	8	CB10-40	MSTM 8-30
38	130	75	100	44	11	50	60	25	73	100	50	22	10	CB10-45	MSTM10-40
50	155	90	125	60	14	65	85	25	87	125	62.5	30	10	CB12-50	MSTM10-40
60	190	120	150	80	18	75	100	30	117	150	75	40	13	CB16-60	MSTM13-50
80	230	150	180	110	22	100	130	35	145	190	90	55	16	CB20-75	MSTM16-60

Catalog No.		L														
Type	D															
YMY YMYP YMYZ YMYZP	20	80	90	100	110	120	130	140	150	160						
	25	80	90	100	110	120	130	140	150	160	170	180	200			
	32	90	100	110	120	130	140	150	160	170	180	200	220	250		
	38	110	120	130	140	150	160	170	180	200	220	250	280	300		
	50	160	170	180	200	220	250	280	300	350						
	60	180	200	220	250	280	300	350	400							
	80	250	280	300	350	400	450									

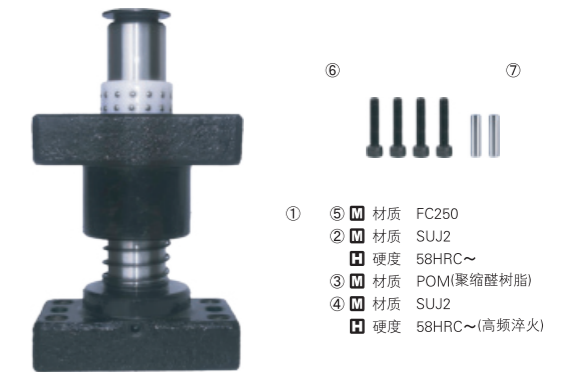
Order 订货范围 Catalog No. - L YMYZP 50 - 250

Delivery 交货期 请咨询 Please ask

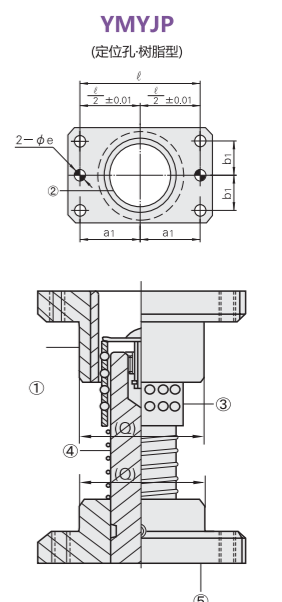
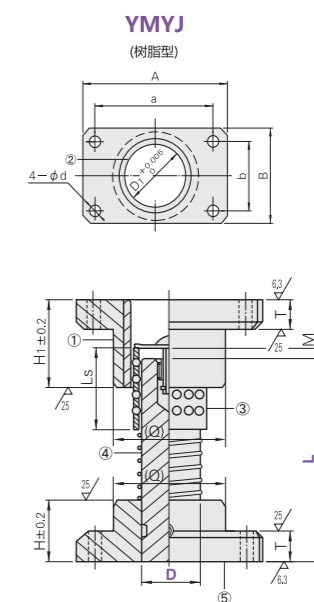
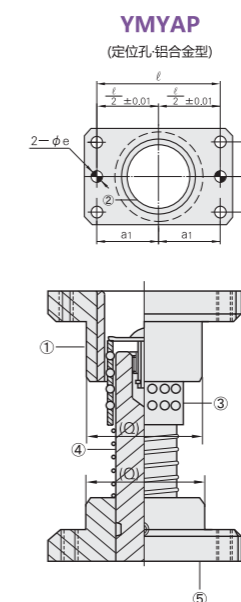
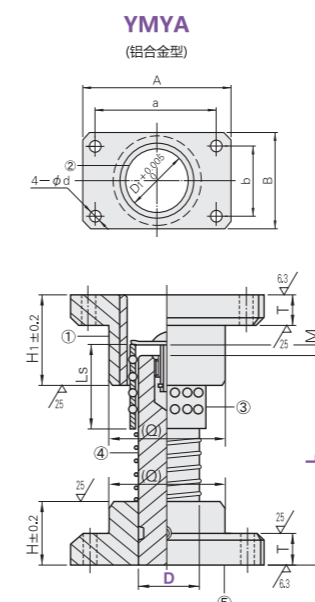
钢球型独立导柱组件



- ⑤ 材质 FC250
- ② 材质 SUJ2
- ③ 材质 铝合金
- ④ 材质 SUJ2
- ⑥ 硬度 58HRC~
- ⑦ 硬度 58HRC~(高频淬火)



- ⑤ 材质 FC250
- ② 材质 SUJ2
- ③ 材质 POM(聚甲醛树脂)
- ④ 材质 SUJ2
- ⑥ 硬度 58HRC~
- ⑦ 硬度 58HRC~(高频淬火)



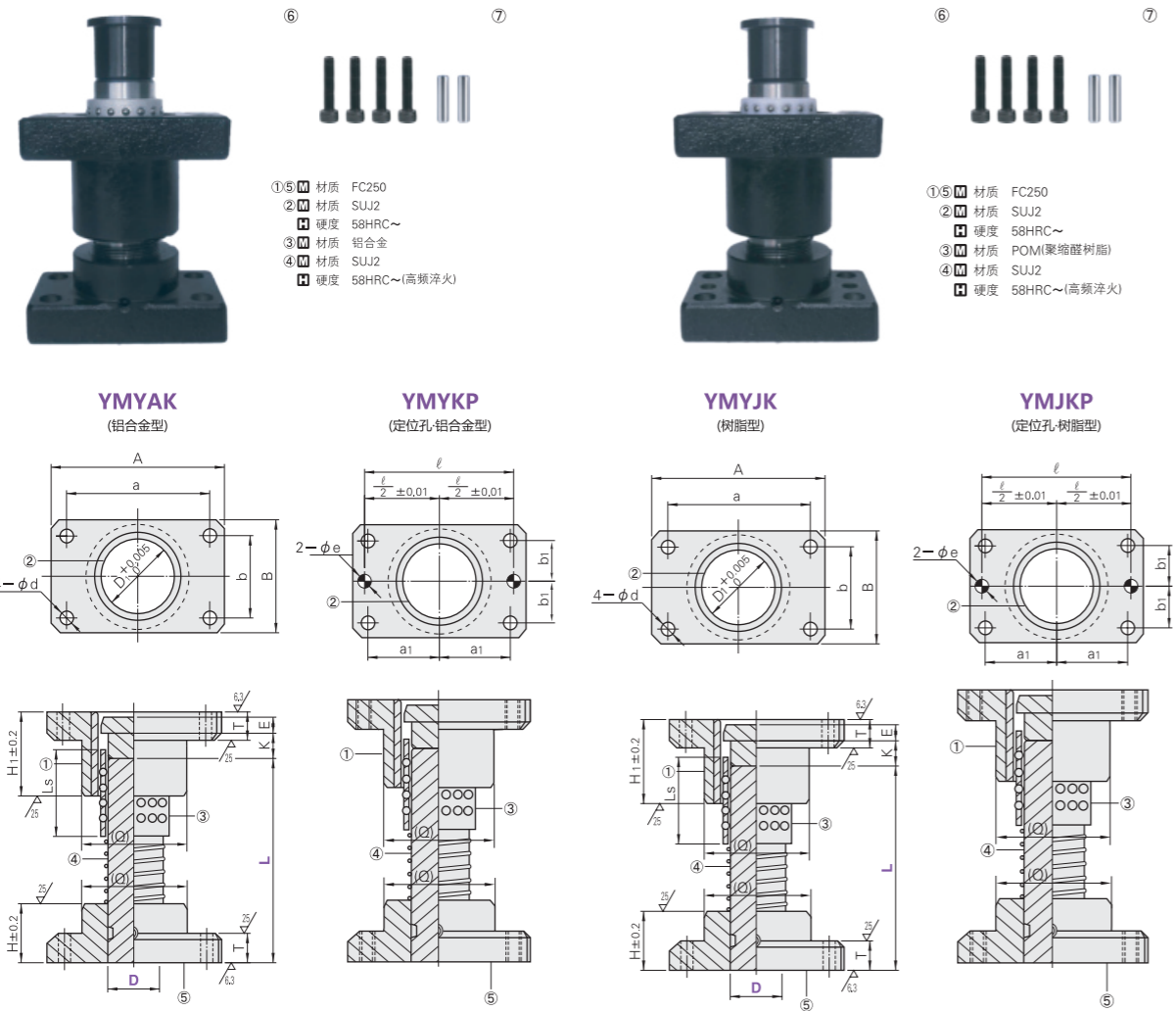
D	D <sub>1</sub>	A	B	a	b	d	H	H <sub>1</sub>	T	Q参考值	Ls	M 挡块可动量	ℓ	a <sub>1</sub>	b <sub>1</sub>	eH7	⑥附属螺栓	⑦附属定位销
20	26	74	44	56	30	6.6	30	50	15	42	50	0~20	56	28	15	6	CB 6-30	MSTM 6-20
25	31	84	48	66	30	9	30	50	20	46	50	0~20	66	33	15	8	CB 8-35	MSTM 8-30
32	40	100	58	76	36	11	40	60	20	56	60	0~25	76	38	18	8	CB10-40	MSTM 8-30
38	48	130	75	100	44	11	50	70	25	73	70	0~29	100	50	22	10	CB10-45	MSTM10-40
50	60	155	90	125	60	14	65	90	25	87	90	0~42	125	62.5	30	10	CB12-50	MSTM10-40

Catalog No.		L														
Type	D															
YMYA YMYAP YMYJ YMYJP	20	90	100	110	120	130	140	150	160							
	25	90	100	110	120	130	140	150	160	170	180	200				
	32	110	120	130	140	150	160	170	180	200	220	240	260			
	38	130	140	150	160	170	180	200	220	240	260	300				
	50	170	180	200	220	240	260	300								
		220	240	260	300	350										
		250	280	300	350	400	450									

Order 订货范围 Catalog No. - L YMYJ 25 - 90

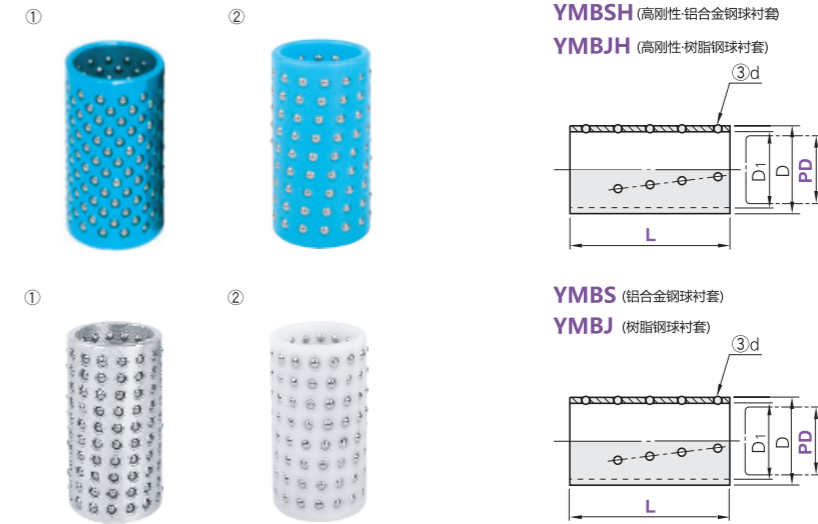
Delivery 交货期 请咨询 Please ask

钢球型独立导柱组件



- ①⑤ 材质 FC250
- ② 材质 SUJ2
- ③ 硬度 58HRC~
- ④ 材质 铝合金
- ⑥ 材质 SUJ2
- ⑦ 硬度 58HRC~(高频淬火)

钢球衬套/挡块/钢球型独立导柱组件用弹簧



- 钢球数约为原钢球衬套(YMBS·YMBJ)的1.6倍。
- ① 材质 A5056(铝合金)
  - ② POM(聚缩醛树脂)
  - ③ SUJ2 球度0.25μm
  - ④ 每批钢球直径误差≤3μm
  - ⑤ 硬度 62~67HRC

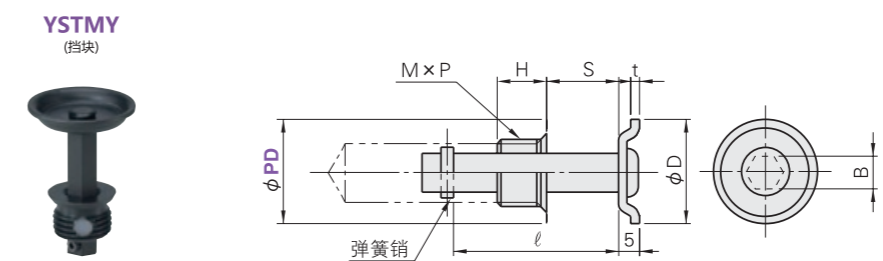
Catalog No.		PD	L	PD 适用 柱直径	外径 ΦD	内径 ΦD1	钢球直径 Φd	钢球数		比率
Type	Type							MBSH MBJH	MBS MBJ	
YMBSH (铝合金)	YMBS (铝合金)	20	50	20	25.5	20.5	3	165	96	1.72
		25	50	25	30.5	25.5		210	128	1.79
		32	60	32	39.5	32.5		238	128	1.65
YMBJH (树脂)	YMBJ (树脂)	38	70	38	47.5	38.5	5	210	128	1.64
		50	90	50	59.5	50.5		360	220	1.64
		60	100	60	69.5	60.5		460	264	1.74

Order 订货范围 YMBS 38-70      Delivery 交货期      请咨询 Please ask

D	D1	A	B	a	b	d	H	H1	T	Q参考值	K	挡块 固定	E	Ls	ℓ	a1	b1	øH7	⑥附属螺栓	⑦附属定位销
25	31	84	48	66	30	9	30	50	20	46	20	5	50	66	33	15	8	+0.015	CB 8-35	MSTM 8-30
32	40	100	58	76	36	11	40	60	20	56	25	5	60	76	38	18	8	+0.015	CB10-40	MSTM 8-30
38	48	130	75	100	44	11	50	70	25	73	30	10	70	100	50	22	10	+0.015	CB10-45	MSTM10-40
50	60	155	90	125	60	14	65	90	25	87	40	10	90	125	62.5	30	10	+0.018	CB12-50	MSTM10-40
60	70	190	120	150	80	18	75	100	30	117	50	15	100	150	75	40	13	+0.018	CB16-60	MSTM13-50

Catalog No.		D	L											
Type	Type		90	100	110	120	130	140	150	160	170	180	200	
YMYAK	YMYKP	25	130 140 150 160											
			170 180 200											
YMYJK	YMJKP	32	110 120 130 140 150											
			160 170 180 200						220 240 260					
YMYJK	YMJKP	38	130 140 150 160											
			170 180 200 220						240 260 300					
YMYJK	YMJKP	50	170 180 200											
			220 240 260						300 350					
YMYJK	YMJKP	60	200 220											
			240 260						300 350					

Order 订货范围 YMYKP 50 - 200      Delivery 交货期      请咨询 Please ask



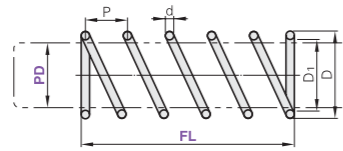
MBS/MBJ 钢球衬套长度	STMY	
	S	ℓ
50	0~20	32
60	0~25	40
70	0~29	44
90	0~42	57

Catalog No.		D	M×P	H	B	t
Type	PD-L					
YSTMY	20~50	24	14×1.5	12	7	1.6
	25~50	29	16×1.5		8	
	32~60	37				2.0
	38~70	44	20×1.5	15	10	
	50~90	56				

Order 订货范围 YSTMY 32-60      Delivery 交货期      请咨询 Please ask

钢球型独立导柱组件用弹簧

YSWMY



材质 SWP-B

PD 适用导柱直径	D	D <sub>1</sub>	d	P
20	22.5	20.5	+1.0	1.0
25	27.9	25.5	0	1.2
32	35.7	32.5	+1.5	1.6
38	42.5	38.5	0	2.0
50	55.7	50.5	+2.0	2.6
60	66.9	60.5	0	3.2

压紧长度  $\approx \frac{FL \times d}{P} + 2d$

Catalog No.		FL	适用独立导柱组件	
Type	PD		D	L
YSWMY	20	40	20	90
		50		100
		70		110
		80		120
		100		130
		110		140
		120		150
	140	160		
	25	40	25	90
		50		100
		70		110
		80		120
		100		130
		110		140
120		150		
140	160			
150	170			
160	180			
180	200			

Catalog No.		FL	适用独立导柱组件	
Type	PD		D	L
YSWMY	32	50	32	110
		60		120
		70		130
		90		140
		110		150
		120		160
		130		170
	140	180		
	170	200		
	190	220		
	210	240		
	230	260		
	38	60	38	130
		70		140
80		150		
90		160		
110		170		
120		180		
150		200		
170	220			
190	240			
210	260			
230	300			

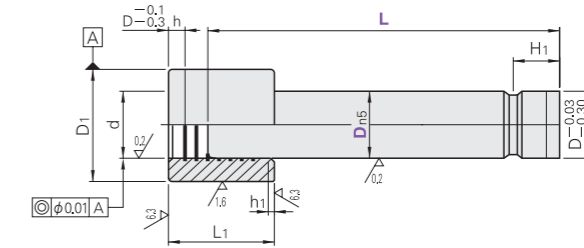
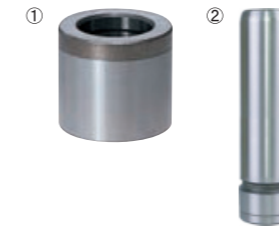
Catalog No.		FL	适用独立导柱组件	
Type	PD		D	L
YSWMY	50	70	50	170
		90		180
		110		200
		140		220
		170		240
		190		260
		230		300
	280	350		
	60	90	60	200
		130		220
		150		240
		180		260
		230		300
		250		350

Order 订货范围 Catalog No. - FL YSWMY 32 - 190

Delivery 交货期 请咨询 Please ask

自润滑导柱组件

YGPZE



① 材质 FC250  
特殊固体润滑剂(镶嵌)  
② 材质 S45C  
硬度 55HRC~(高频淬火)

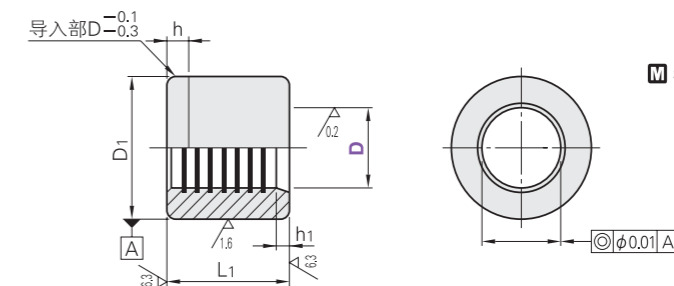
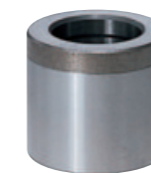
②		①					
D <sub>n5</sub>	H <sub>1</sub>	d	D <sub>1JS5</sub>	h	h <sub>1</sub>	L <sub>1</sub>	
32	20	32	52	8	4	48	
38	25	38	60	10	5	55	
50	32.5	50	70	15	10	75	
60	37.5	60	80	20		90	
80	50	80	100	25	120		

Catalog No.		L												D <sub>1</sub>	
Type	D														
YGPZE	32	90	100	110	120	130	140	150	160	170	180	200	220	250	52
	38	110 120 130 140 150 160 170 180												60	
	50	160 170 180 200 220 250 280												70	
	60	180 200 220 250 280 300												80	
	80	250 280 300 350												100	

Order 订货范围 Catalog No. - L YGPZE 80 - 300

Delivery 交货期 请咨询 Please ask

YGBZE



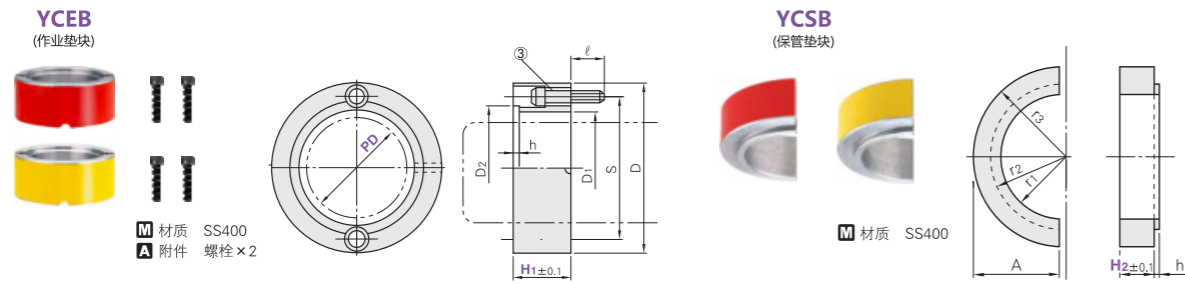
材质 FC250  
特殊固体润滑剂(镶嵌)

Catalog No.		D <sub>1JS5</sub>			h	h <sub>1</sub>	L <sub>1</sub>
Type	D						
YGBZE	32	52	±0.0065	8	4	48	
	38	60		10	5	55	
	50	70		15	10	75	
	60	80		20		90	
	80	100		25	120		

Order 订货范围 Catalog No. - L YGBZE 50

Delivery 交货期 请咨询 Please ask

行程限位块



PD	D	D <sub>1</sub>	D <sub>2</sub>	S	h	r <sub>1</sub>	r <sub>2</sub>	r <sub>3</sub>	A	③	ℓ
25	46	31.5	36	37	2	15.75	18	23	22	M4 × P0.7	10
32	56	41	45	45	2	20.5	22.5	28	27	M4 × P0.7	10
38	72	49	56	60	3	24.5	28	36	35	M5 × P0.8	10
50	86	62	68	72	3	31	34	43	42	M6 × P1.0	10
60	112	76	84	92	3	38	42	56	55	M8 × P1.25	12
80	140	100	108	116	3	50	54	70	69	M8 × P1.25	12

■作业垫块

Catalog No.		H <sub>1</sub>	Color
Type	PD	指定单位5mm	
YCEB	25	10~50	R (Red)
	32	10~50 55~60	
	38	15~50 55~70	
	50	20~50 55~80	Y (Yellow)
	60	20~50 55~80	
	80	20~50 55~80	

■保管垫块

Catalog No.		H <sub>2</sub>	Color
Type	PD	指定单位5mm	
YCSB	25	10~20 25~40	R (Red)
	32	10~20 25~40	
	38	10~20 25~50	
	50	10~20 25~50	Y (Yellow)
	60	10~20 25~50	
	80	10~20 25~50	

catalog No.		①・② (作业垫块)		③・④ (保管垫块)	
Type	PD	H <sub>1</sub> 指定单位5mm	Color	H <sub>2</sub> 指定单位5mm	Color
YEBYS (①CEBY+③CSBY组合产品)	25	10~30	R (Red)	10~20	R (Red)
		35~50		25~40	
	32	10~30		10~20	
		35~50		25~40	
	38	15~30		10~20	
		35~50		25~50	
YEBAS (②CEBA+④CSBA组合产品)	50	20~30	Y (Yellow)	10~20	Y (Yellow)
		35~50		25~50	
	60	20~30		10~20	
		35~50		25~50	
	80	20~30		10~20	
		35~50		25~50	

Order 订货范围 Catalog No. YCEB 32 - 35 - Color(R・Y) R

Delivery 交货期 请咨询 Please ask

Catalog No. Color(R・Y) Color(R・Y)

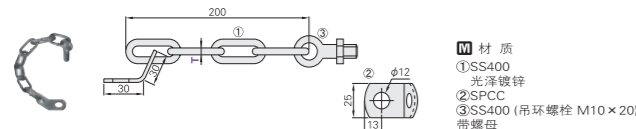
Type PD H<sub>1</sub> R・Y H<sub>2</sub> R・Y

YEBYS 38 - 40 R - 40 Y



■作业垫块用链条

YRSC



① 材质 SS400 光泽镀锌  
② SPCC  
③ SS400 (吊环螺栓 M10 × 20) 带螺母

Catalog No.	
Type	T
YRSC	3
	5

④ 本产品RSC3为预加工RS的链条。

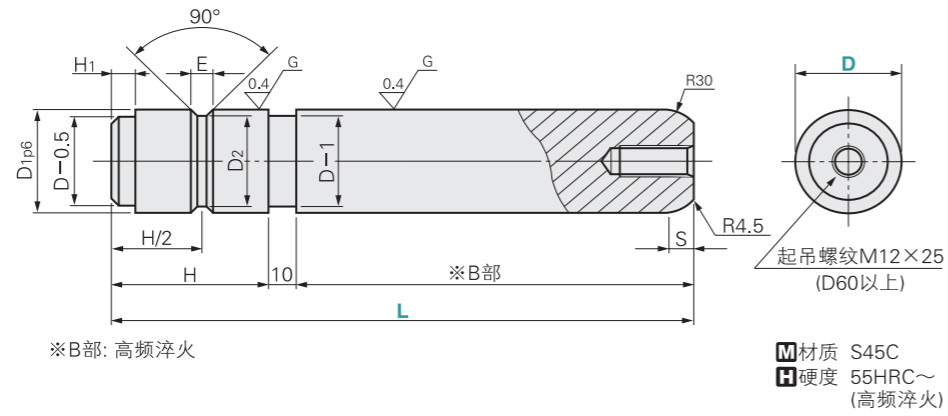
Order 订货范围 Catalog No. YRSC 3

Delivery 交货期 请咨询 Please ask

导柱

■导柱

YGPM



Catalog No.		L	D	D1p6	D2	H	E	S	H1
Type	D								
YGPM	25	80	25	25	21	30	8	5	10
		100							
		120							
		140							
	30	100	30	30	26	40	8	5	
		120							
		140							
		160							
	40	120	40	40	36	50	8	5	
		140							
		160							
		180							
	50	160	50	50	45	70	10	10	
		180							
		200							
		250							
	60	200	60	60	55	90	12	10	
		220							
		250							
		300							
	65	250	65	65	60	100	12	10	
		300							
		350							
		400							
80	300	80	80	75	120	12	10		
	350								
	400								
	500								
100	350	100	100	95	150	12	10		
	400								
	450								
	500								

Order 订货范围 Catalog No. YGPM 80 - L 300

Delivery 交货期 请咨询 Please ask

自润滑导套

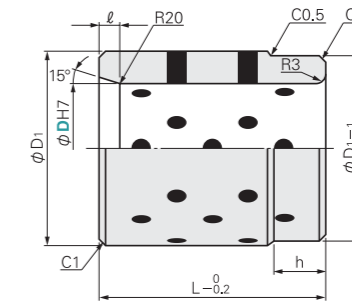
■自润滑导套

YGBF

YGBW



滑动仅为直线运动。



材质 GBF FC250 石墨(镶嵌)  
GBW 高力黄铜 石墨(镶嵌)

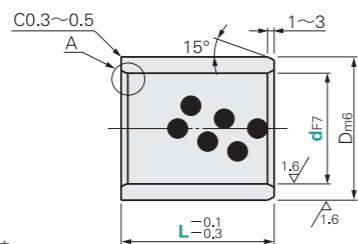
Catalog No.		D1	DH7	L	h	l		
Type	No.							
YGBF (铸件型) YGBW (铜合金型)	30	50	±0.008	30	+0.021 0	50	10	5
	40	60	±0.0095	40	+0.025 0	60	15	20
	50	70						
	60	80	±0.011	60	+0.030 0	90	25	10
	80	100						
	100	120	±0.013	100	+0.035 0	150	25	
	60~L60	80	±0.0095	60	+0.030 0	60	20	
	80~L80	100	±0.011	80	0	80	25	
	100~L100	120	±0.013	100	+0.035 0	100	25	

Order 订货范围 Catalog No. YGBF 50

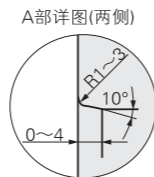
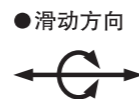
Delivery 交货期 请咨询 Please ask

通用导套 直杆型

YGGBW



- 配套轴公差  
一般用(高负载) d8  
一般用(轻负载) e7  
高精度用 f7  
● 推荐孔加工公差 H7

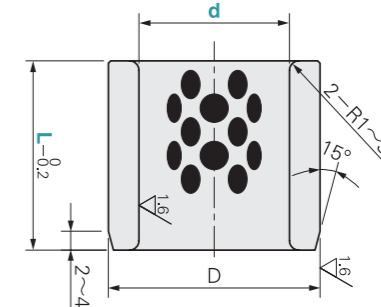


■ 材质 高力黄铜  
石墨(镶嵌)

Catalog No.	Type	d	L	dF7	Dm6	适用垫圈
8	8 10 12 15	8		+0.028	12	-
10	8 10 12 15 20	10		+0.013	14	GBWC10
12	8 10 12 15 16 19 20 25 30	12			18	GBWC12
13	10 12 15 16 20	13			19	GBWC13
14	10 12 15 20 25 30	14		+0.034	20	GBWC14
15	10 12 15 16 20 25 30	15		+0.016	21	GBWC15
16	10 12 15 16 19 20 25 30 35 40	16			22	GBWC16
17	15	17			23	
18	12 15 16 20 25 30 35 40	18			24	GBWC18
19	15 20	19			26	
20	10 12 15 16 19 20 25 30 35 40 50	20			28	
20A	16 20 25 30 35 40 70 100	20			30	GBWC20
22	12 15 20 25	22		+0.041	32	
25	12 15 16 20 25 30 35 40 50 60	25		+0.020	33	GBWC25
25A	12 15 16 20 25 30 35 40 50	25			35	
28	20 25 30 40	28			38	
30	12 15 20 25 30 35 40 50 60	30			38	GBWC30
30A	12 15 20 25 30 35 40 50 60	30			40	
32	15 20 30 40	32			42	
35	20 25 30 35 40 50 60	35			44	GBWC35
35A	20 25 30 35 40 50 60	35			45	
38	30 40	38			48	
40	15 20 25 30 35 40 50 60 70 80	40			50	GBWC40
40A	15 25 30 35 40 50 60	40		+0.050	55	
45	30 35 40 50 60	45		+0.025	55	GBWC45
45A	30 35 40 50 60	45			56	
45B	30 35 40 50 60 70 80	45			60	
50	20 30 35 40 50 60 70 80	50			60	GBWC50
50A	30 35 40 50 60 70	50			62	
50B	30 40 50 60 70 80 100	50			65	
55	30 35 40 50 60 70	55			70	GBWC55
60	30 35 40 50 60 70 80 100	60			74	GBWC60
60A	30 35 40 50 60 70 80 100	60			75	
63	60 70 80	63			75	
65	40 50 60 70 80	65			80	GBWC65
70	30 35 40 50 60 70 80 100	70		+0.060	85	GBWC70
70A	50 60 70 80	70		+0.030	90	
75	50 60 70 80 100	75			90	GBWC75
75A	60 70 80 100	75			95	
80	20 40 50 60 70 80 100 120	80			96	GBWC80
80A	40 50 60 70 80 100 120 140	80			100	
85	25 60 80	85			100	
90	30 50 60 70 80 90 100 120	90			110	GBWC90
100	40 50 60 70 80 90 100 120 140	100		+0.071	120	GBWC100
110	50 70 80 100 120	110		+0.036	130	
120	70 80 90 100 120 140	120			140	GBWC100
125	100 120	125			145	
130	80 100 130	130			150	
140	100 140	140		+0.083	160	
150	80 100 150	150		+0.043	170	
160	80 100 150 160	160			180	

通用导套 直杆青铜型

YGGBP



- 配套轴公差 h7  
● 推荐孔加工公差 H7



■ 材质 CAC406(BC6)  
石墨(镶嵌)

Catalog No.	Type	d	L	d	D
20	20 25 30	20		+0.105	30
25	20 30 40	25		+0.072	35
30	25 30 40	30			40
30A	25 30 40	30			42
32	30 40	32			42
32A	30 40	32			45
35	30 40 50	35			45
35A	30 40 50	35			48
40	30 40 50	40		+0.144	50
40A	30 40 50	40		+0.105	55
45	40 50	45			55
45A	40 50	45			60
50	40 50 60	50			60
50A	40 50 60	50			65
55	50 60	55			70
60	50 60 80	60			75
60A	50 60 80	60			80
65	60 80	65			80
65A	60 80	65		+0.190	85
70	60 80	70		+0.144	85
70A	60 80	70			90
75	60 80	75			90
75A	60 80	75			95
80	80 100	80			95
80A	80 100	80			100
85	80 100	85			100
85A	80 100	85			105
90	80 100	90		+0.242	110
90A	80 100	90		+0.188	115
100	80 100 120	100			120
100A	80 100 120	100			125

Order 订货范围 Catalog No. - L  
YGGBP 60 - 50  
YGGBP 60A - 50

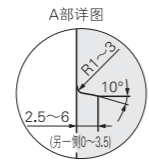
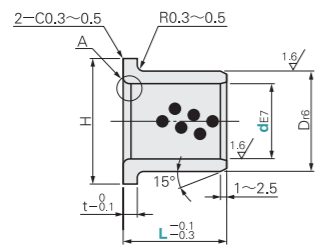
Delivery 交货期 请咨询 Please ask

Order 订货范围 Catalog No. - L  
YGGBW 60 - 50  
YGGBW 60A - 50

Delivery 交货期 请咨询 Please ask



通用导套 带肩型

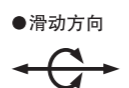
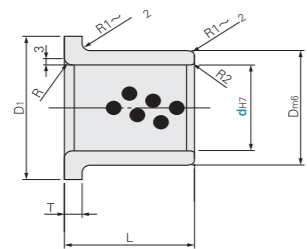


- 配套轴公差
- 一般用(高负载) d8
- 一般用(轻负载) e7
- 高精度用 f7
- 推荐孔加工公差 H7

材质 高力黄铜  
石墨(镶嵌)

Order 订货范围 YGGBF 60 - 50  
Catalog No. - L  
Delivery 交货期 请咨询 Please ask

Catalog No. Type	d	L	dE7	Df6	H	t		
YGGBF	8	10 15	8	+0.034	12	+0.034	20	
	10	10 12 15 17 20	10	+0.023	14	+0.023	22	
	12	15 20 25 30	12	+0.050 +0.032	18	+0.041 +0.028	25	
	13	15 20	13		19		26	
	14	15 20 25	14		20		27	
	15	15 20 25 30	15	21	28	3		
	16	15 18 20 23 25 30 35 40	16	22	29			
	18	20 30	18	24	32	5		
	20	15 20 25 30 35 40	20	30	40			
	25	15 20 25 30 35 40 50	25	+0.061 +0.040	35		45	
	30	20 25 30 35 40 50	30	40	+0.050 +0.034		50	
	35	20 25 30 35 40 50	35	45	60		7.5	
	40	20 25 30 35 40 50	40	50	65			
	45	30 35 40 50 60	45	+0.075 +0.050	55	70	10	
	50	30 35 40 50 60	50	60	+0.060 +0.041	75		
	55	40 60	55	65	80	7.5		
	60	40 50 80	60	+0.090 +0.060	75			+0.062 +0.043
	70	50 80	70	85	+0.073	105		10
80	60 80 100	80	100	+0.051	120			
90	60 80	90	110	+0.076	130	10		
100	80 100	100	120	+0.054	150			
120	80 100	120	140	+0.088 +0.063	170			



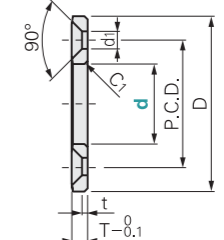
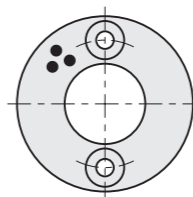
材质 高力黄铜  
石墨(镶嵌)

Order 订货范围 YSGBW 65  
YSGBW 65A  
Catalog No.  
Delivery 交货期 请咨询 Please ask

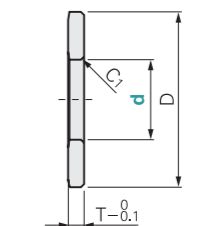
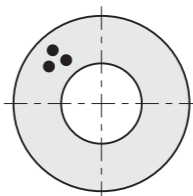
Catalog No. Type	No.	dh7	Dm6	D1	T	R	L
YSGBW	25	25	+0.021	35	+0.025	45	7
	30	30	0	40	+0.009	50	10
	40	40	+0.025	55	+0.030 +0.011	65	
	50	50	0	65		75	
	60	60		75		85	
	65	65	+0.030 0	80	90	20	80
	65A	65		80	90		120
	80	80		100	110		100
	80A	80	+0.035 +0.013	100	110	140	100
	100	100		120	130	100	
100A	100	120		130	140		

垫圈

YGBWC



YGBWCN (无螺栓孔型)



材质 高力黄铜  
石墨(镶嵌)

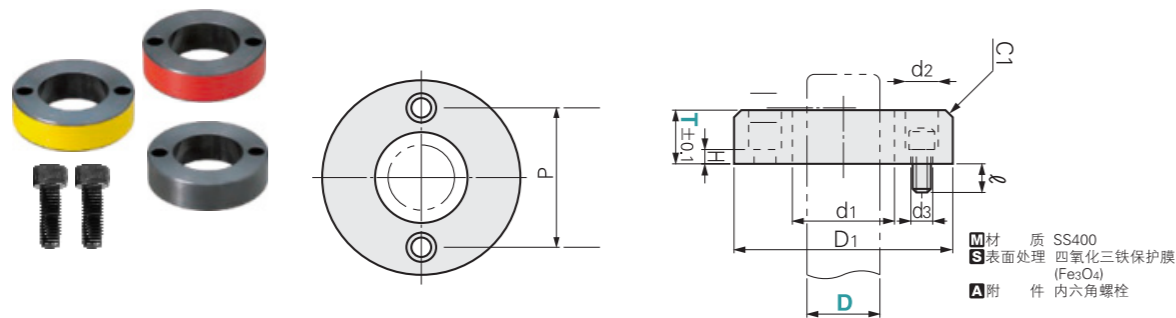
Catalog No.	d(公称尺寸)	d(实际尺寸)	D	T	螺栓安全孔						
					P.C.D.	数量	使用平头螺丝	d1	t		
YGBWC	10	10.2	30	3	20	2	M3	3.5	2.4		
	12	12.2	40		28						
	13	13.2			50					35	
	14	14.2									
	15	15.2	5	40							
	16	16.2		45							
	18	18.2	7	60	M5	6	3				
	20	20.2		67.5							
	25	25.2	8	75	4	M6	7	4			
	30	30.2		85							
	35	35.2	10	90							
	40	40.2		100							
	45	45.3	10	110					M8	9	5
	50	50.3		120							
	55	55.3	10	130							
	60	60.3		140							
	65	65.3	10	150	M10	11	6				
	70	70.3		170							
75	75.3	10	180								
80	80.3		190								
90	90.5	10	200	175	175	175					
100	100.5		210								
YGBWCN	10	10.2	30	3	无螺栓孔型						
	12	12.2	40								
	16	16.2	50								
	20	20.2	50								
	25	25.2	55								

Order 订货范围 YGBWC 60  
Catalog No. d

Delivery 交货期 请咨询 Please ask

行程限位块/导套防松脱固定块

YGEB  
(压入型导柱用)



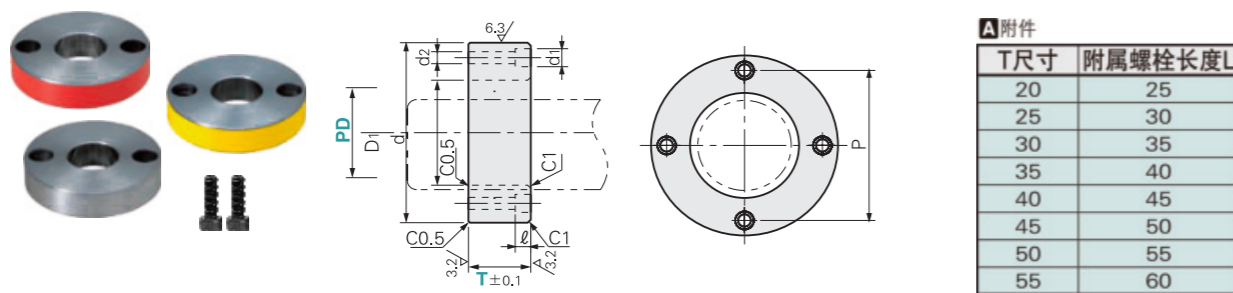
Catalog No.		T	Color 颜色	D1	P	d1	T	H	d2	d3	A 附件 安装螺栓	l
Type	D											
YGEB	50	20	R (红色)	90	72	55	20 · 25	10	11	6.5	CB6-20	10
		25					30 · 35 · 40					
	60	30	Y (黄色)	120	92	65	20 · 25	8	14	9	CB8-20	
		35					30 · 35 · 40					
	80	40	N (标准色)	150	116	88	20 · 25	8	14	9	CB8-20	
							30 · 35 · 40					
											CB8-30	

N(标准色)为四氧化三铁保护膜(Fe<sub>3</sub>O<sub>4</sub>)外观。

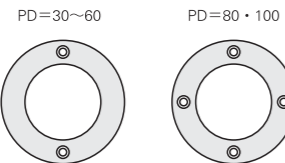
Order 订货范围 Catalog No. - T - R · Y · N  
YGEB 50 - 30 - Y

Delivery 交货期 请咨询 Please ask

YKEB



T尺寸	附属螺栓长度L
20	25
25	30
30	35
35	40
40	45
45	50
50	55
55	60



Example 使用范例  
YKEB YGBF · YGBW  
兼有防松脱固定块与限位块2种功能, 可削减工时数。

Catalog No.		T 指定单位5mm	Color 颜色	D1	PD 适用导柱直径	D2 适用导套外径	d	P	l※1	d1	d2	A 附件 安装螺栓※2
Type	PD											
YKEB	30	20~30	R (红色)	96	30	50	35	72	15	17.5	11	CB10-L 2个
		40										
	50	20~55	Y (黄色)	106	40	60	45	82	15	17.5	11	
		60										
	80	20~55	N (标准色)	116	50	70	55	92	15	17.5	11	
		60										
100	20~50		126	60	80	65	102	15	20	14	CB10-L 4个	
			150	80	100	85	124	15	20	14	CB10-L 4个	
			170	100	120	105	144	15	20	14	CB10-L 4个	

N(标准色)为四氧化三铁保护膜(Fe<sub>3</sub>O<sub>4</sub>)外观。

Order 订货范围 Catalog No. - T - Color  
YKEB 50 - 30 - Y

Delivery 交货期 请咨询 Please ask

钢球导柱组件

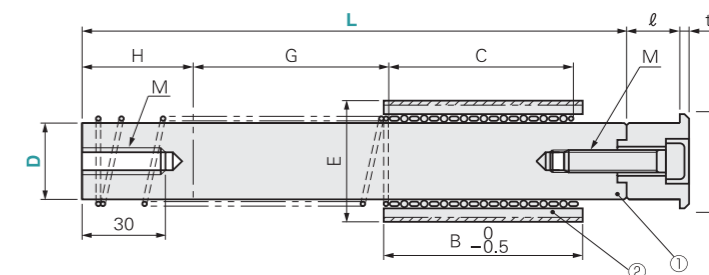
YPKHL



YPKHLU  
-带聚氨酯-



一模具导向用一



YPKHL ①② M 材质 SUJ2 硬度 58HRC ~  
YPKHLU ① M 材质 SUJ2 硬度 58HRC ~ ② M 材质 SUJ2 硬度 58HRC ~ 聚氨酯 肖氏A90

Catalog No.		L	D	d1	E		d2	B	C	l	M	t	D1	G min.	H
Type	D				PKHL	PKHLU									
YPKHL YPKHLU	50	240	50	+0.035 +0.045	+0.065 +0.045	83 0 -0.010	+0.045 +0.015	120	110	40 20	12	10	58	30	60
		280													
	60	260	60	+0.035 +0.045	+0.065 +0.045	95 0 -0.010	+0.045 +0.015	130	120	50 30	12	10	68	30	80
		300													
	80	300	80	+0.035 +0.045	+0.065 +0.045	120 0 -0.012	+0.045 +0.015	140	130	50 30	12	10	88	30	100
		340													
	100	350	100	+0.040 +0.032	+0.070 +0.045	145 0 -0.012	+0.045 +0.015	160	150	50 30 10	16	15	108	40	120
		400													
		450													

d1、d2指左下方“安装孔加工尺寸公差”。

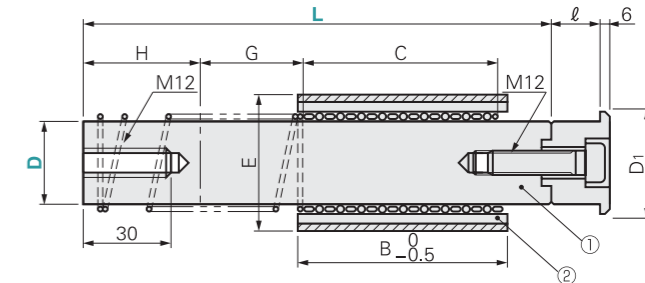
YPKH



YPKH-U  
-带聚氨酯-



一卸料板用一



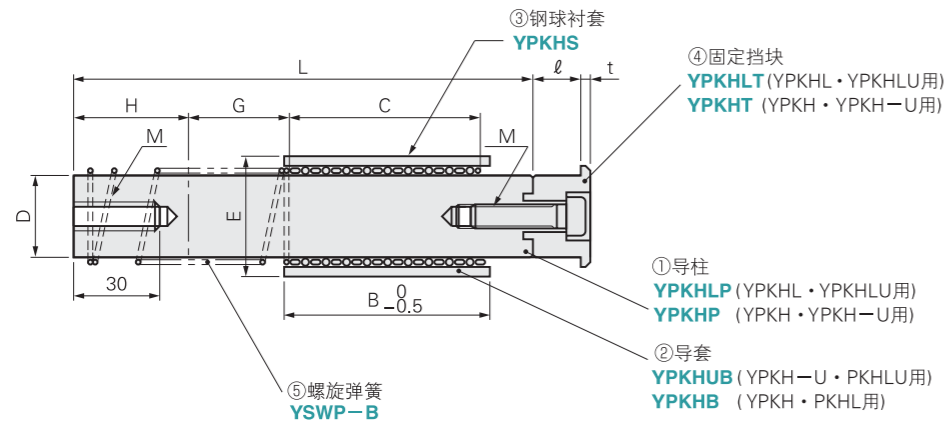
YPKH ①② M 材质 SUJ2 硬度 58HRC ~  
YPKH-U ① M 材质 SUJ2 硬度 58HRC ~ ② M 材质 SUJ2 硬度 58HRC ~ 聚氨酯 肖氏A95

Catalog No.		L 指定单位10mm	D	d1	E		d2	B	C	l	D1	G min.	H	
Type	D				PKH	PKH-U								
YPKH YPKH-U	38	130~160	38	+0.030 +0.025	+0.060 +0.040	64 0 -0.008	+0.040 +0.015	80	50	20	46	20	40	
		170~200												
	50	150~190	83	+0.035 +0.030	+0.065 +0.045	83 0 -0.010	+0.045 +0.015	100	75	30	20	58	30	50
		200~240												
		220~260												
	60	170~210	95	+0.035 +0.030	+0.065 +0.045	95 0 -0.010	+0.045 +0.015	100	70	20	20	68	30	60
		220~260												
	80	260~300	120	+0.035 +0.030	+0.065 +0.045	120 0 -0.010	+0.045 +0.015	100	90	30	20	88	20	80
		260~300												

Order 订货范围 Catalog No. - L  
YPKH 50 - 240

Delivery 交货期 请咨询 Please ask

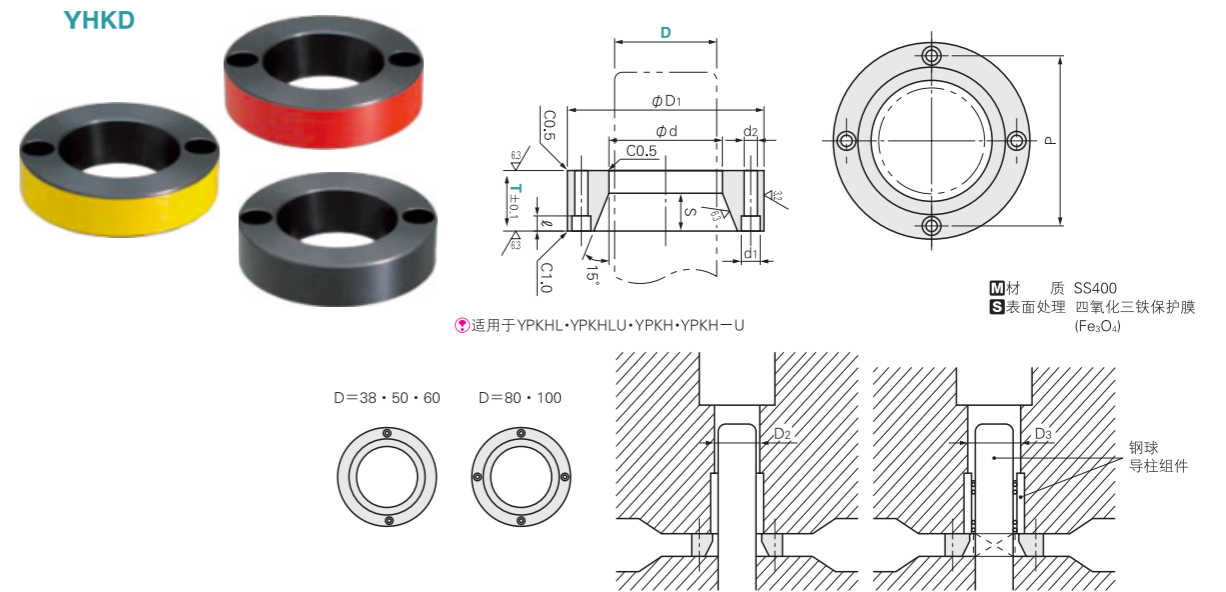
行程限位块/导套防松脱固定块



组件		①导柱		②导套		③钢球衬套		④固定挡块		
Type	D	L	Type	D	L	Type	D-B	Type	D-ℓ	
模具导向用 YPKHL YPKHLU	50	240	模具导向用 YPKHLP	50	240	YPKHS	50-110	模具导向用 YPKHLT	50-40	
		280			280				50-20	
	60	260		60	260				60-130	60-50
		300			300					60-30
	80	300		80	300				80-140	80-50
		340			340					80-30
100	350	100	350	100-160	100-50					
	400		400		100-30					
		450			450			100-10		
卸料板用 YPKH YPKH-U	38	130~160	卸料板用 YPKHP	38	130~160	带聚四氟乙烯 YPKHUB (PKHLU用 YPKH-U)	38-80	卸料板用 YPKHT	38-20	
		170~200			170~200				38-75	38-30
	50	150~190		50	150~190				50-100	50-20
		200~240			200~240					50-30
	60	170~210		60	170~210				60-100	60-20
		220~260			220~260					60-30
		260~300			260~300			80-30		

组件		⑤螺旋弹簧		
Type	D	L	Type	
模具导向用 YPKHL YPKHLU	50	240	YSWP-B	
		280		
	60	260		
		300		
	80	300		
		340		
100	350			
	400			
		450		
卸料板 YPKH YPKH-U	38	130~160		
		170~200		
	50	150~190		
		200~240		
	60	170~210		
		220~260		
		260~300		

间隔导向环

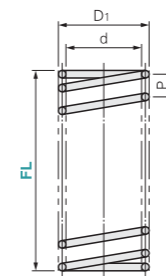


Catalog No.		T	Color 颜色	D <sub>1</sub>	d	P	S		d <sub>1</sub>	d <sub>2</sub>	ℓ	D <sub>2</sub>	D <sub>3</sub>
pe	D	指定单位5mm					T=25	T≥30					
YHKD	38	25~55	R (红色)	108	54	88	23	28	17.5	11	15	38	50
	50		Y (黄色)	118	64	98						50	60
	60		N (标准色)	148	84	126						60	80
	80		168	104	146	80						100	
	100		188	124	166	100						-	

(N标准色)为四氧化三铁保护膜(Fe<sub>3</sub>O<sub>4</sub>)外观。

Order 订货范例 Catalog No. - T - R · Y · N  
YHKD 38 - 30 - R

YSWP-B



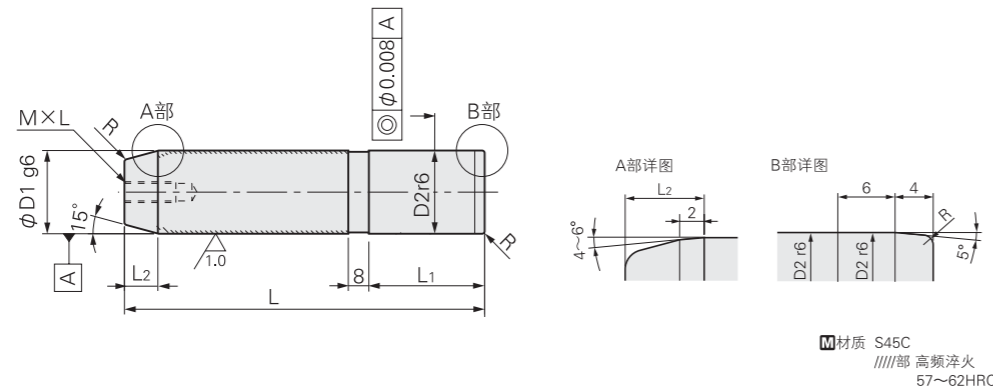
Catalog No.		D	FL	D <sub>1</sub>	d	P			
Type									
YSWP-B	38	80 90 100 110	42.5	38.5	18				
		120 130 140							
	50	80 90 100 110							
		120 130 140							
						150			
	60	80 90 100							
		110 120 130 140							
						150 160 170			
	80	160				66.9	60.5	20	
		170 180							
						190 200			
	100	200				87.7	80.5	30	
230									
260									

Order 订货范例 Catalog No. - D - FL  
YSWP-B - 50 - 1

Delivery 交货期 请咨询 Please ask

导柱

YCMG51



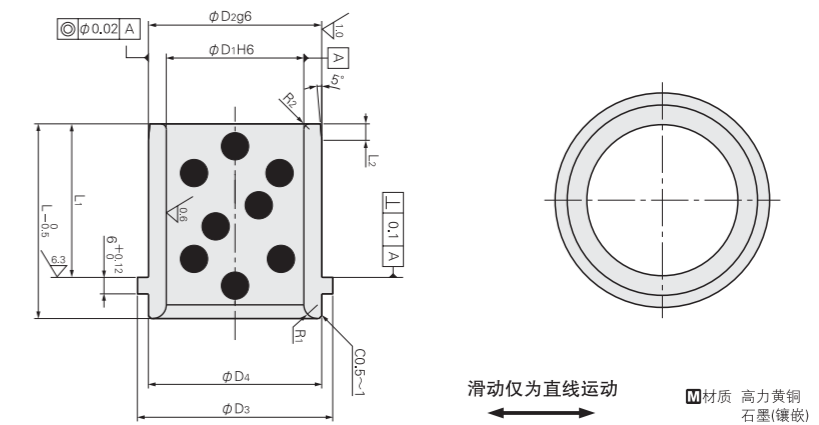
Catalog No.		D1	D2	L	L1	L2	R	M×L	NAAMS代码
Type	No.								
YCMG51	2508	25	25	80	40	8	2	M8×20	G512508
	2510			100					G512510
	2512			125					G512512
	2514			140					G512514
	2516			160					G512516
	2518			180					G512518
	3210			100					G513210
	3212			125					G513212
	3214			140					G513214
	3216			160					G513216
	3218			180					G513218
	3220			200					G513220
	4016	40	40	160	56	8	2	M8×20	G514016
	4018			180					G514018
	4020			200					G514020
	4022			225					G514022
	4025			250					G514025
	5016			160					G515016
	5018			180					G515018
	5020			200					G515020
	5022			225					G515022
	5025			250					G515025
	5028			280					G515028
	2031			315					G515031
	6320	63	63	200	80	10	2.5	M12×30	G516320
	6322			225					G516322
	6325			250					G516325
	6328			280					G516328
	6331			315					G516331
	6335			355					G516335
	6340			400					G516340
	6350			500					G516350
	8025			250					G518025
	8028			280					G518028
	8031			315					G518031
	8035			355					G518035
	8040	80	80	400	100	10	3	M12×30	G518040
	8050			500					G518050
	1031			315					G511031
	1035			355					G511035
	1040			400					G511040
	1050			500					G511050
1140	400			G511140					
1150	500			G511150					
1240	400			G511240					
1245	450			G511245					
1250	500			G511250					
1255	550			G511255					
1260	125	125	600	140	10	3	M12×30	G511260	
1265			650					G511265	
1270			700					G511270	

Order 订货范围 YCMG51 2580

Delivery 交货期 请咨询 Please ask

导套

YCMG61

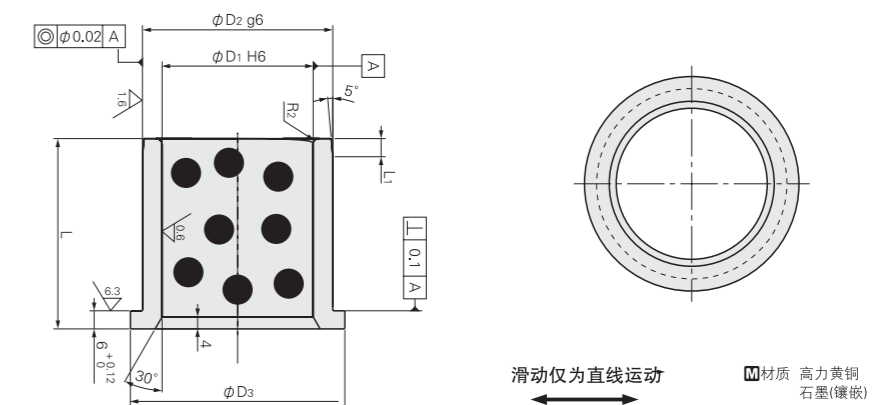


Catalog No.		D1	D2	D3	D4	L	L1	L2	R	NAAMS代码
Type	No.									
YCMG61	2540	25	32	40	32	40	30	4	3	G612540
	3250	32	40	50	40	50	40	4	3	G613250
	4063	40	50	63	50	63	50	5	3	G614063
	5071	50	63	71	63	71	56	6	5	G615071
	6380	63	80	90	80	80	63	8	6	G616380
	8010	80	100	112	100	100	80	10	8	G618010
	1012	100	125	140	125	125	106	12	10	G611012
	1114	115	140	155	140	140	120	12	10	G611114
	1216	125	160	180	160	160	132	12	12	G611216

Order 订货范围 YCMG61 4063

Delivery 交货期 请咨询 Please ask

YCMG71



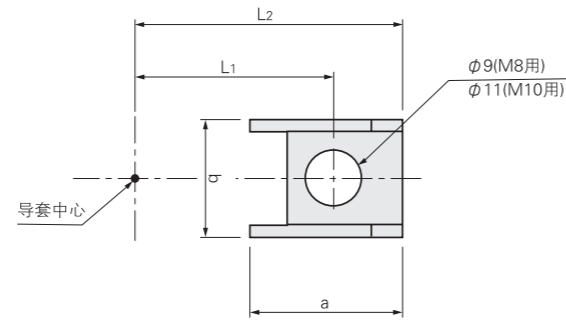
Catalog No.		D1	D2	D3	L	L1	NAAMS代码
Type	No.						
YCMG71	2540	25	32	40	40	4	G712540
	3250	32	40	50	50	4	G613250
	4055	40	50	63	55	5	G614055
	5063	50	63	71	63	6	G615063
	6375	63	80	90	75	8	G616375
	8090	80	100	112	90	10	G618090
	1011	100	125	140	115	12	G611011
	1213	125	160	180	138	12	G611213

Order 订货范围 YCMG71 4055

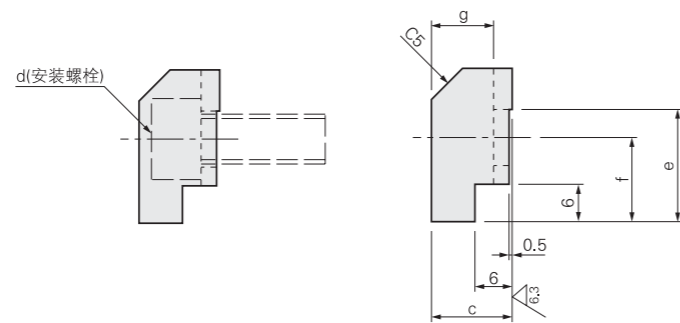
Delivery 交货期 请咨询 Please ask

导套防脱块

YCMG72  
(省空间)



YCMG73



材质 S45C

Catalog No.		适用导柱	L1	L2	a	b	c	d	e	f	g	NAAMS代码
Type	No.											
YCMG72	0000	32	34	45.1	24.6	18.9	13	M8×20	18	13.5	10	G720000
		40	40.5	51.6								
		50	44.5	55.6								
		63	54	65.1								
		80	65	76.1								
		100	79	90.1								
115	86.5	97.6										
YCMG73	0000	32	35.5	48.4	27.9	23.5	15.5	M10×20	20.5	15	12.5	G730000
		40	42	54.9								
		50	46	58.9								
		63	55.5	68.4								
		80	66.5	79.4								
		100	80.5	93.4								
		115	88	100.9								
125	100.5	113.4										



Order 订货范围 Catalog No. YCMG73 0000

Delivery 交货期 请咨询 Please ask